



A WATTS Brand

# SA01

## Security Framed Wall Mirror

### Security framed chase-mounted wall mirror:

**Model SA01-1 (Stainless Steel)**

**Model SA01-2 (Stainless Steel)**

**Model SA01-5 (Plexiglas®)**

### Product Materials

**FRAME:** 14 gauge stainless steel, seamless construction, with exposed surfaces in architectural satin finish. Back of frame has welded anchor nuts to receive 1/4" - 20 studs (provided). Mirror material held to frame by fiberboard backing. Nuts and washers included.

**MIRROR MODEL SA01-1:** mirror is 20 gauge, stainless steel polished to a No. 8 architectural finish. Stretcher leveled for uniform finish. Very bright – excellent reflectivity, very slight polish grain.

**MIRROR MODEL SA01-2:** mirror is 20 gauge, stainless steel, bright annealed. Stretcher leveled for uniform finish. Surface is bright and smooth with mirror-like finish.

**MIRROR MODEL SA01-5:** plexiglas mirror is 1/4" thick with excellent reflectivity. Surface subject to scratching and must not be cleaned with abrasive cleaners. (Plexiglas is a Registered Trademark of Rohm & Haas.)

Stainless steel mirrors will differ in optic quality from glass mirrors.

### ADA Compliant

- Consult local and national accessibility codes for proper installation guidelines.
- Conformity and compliance to local and national codes is the responsibility of the installer.



### Installation

Verify all rough-in dimensions prior to installation. Backplate has welded anchor nuts to receive 1/4" -20 studs, nuts and washers (included with unit). Six 5/8" dia. holes are required in wall at locations shown.

### Standard Selections

<b>WALL THICKNESS (must specify)</b>
Specify Thickness: _____

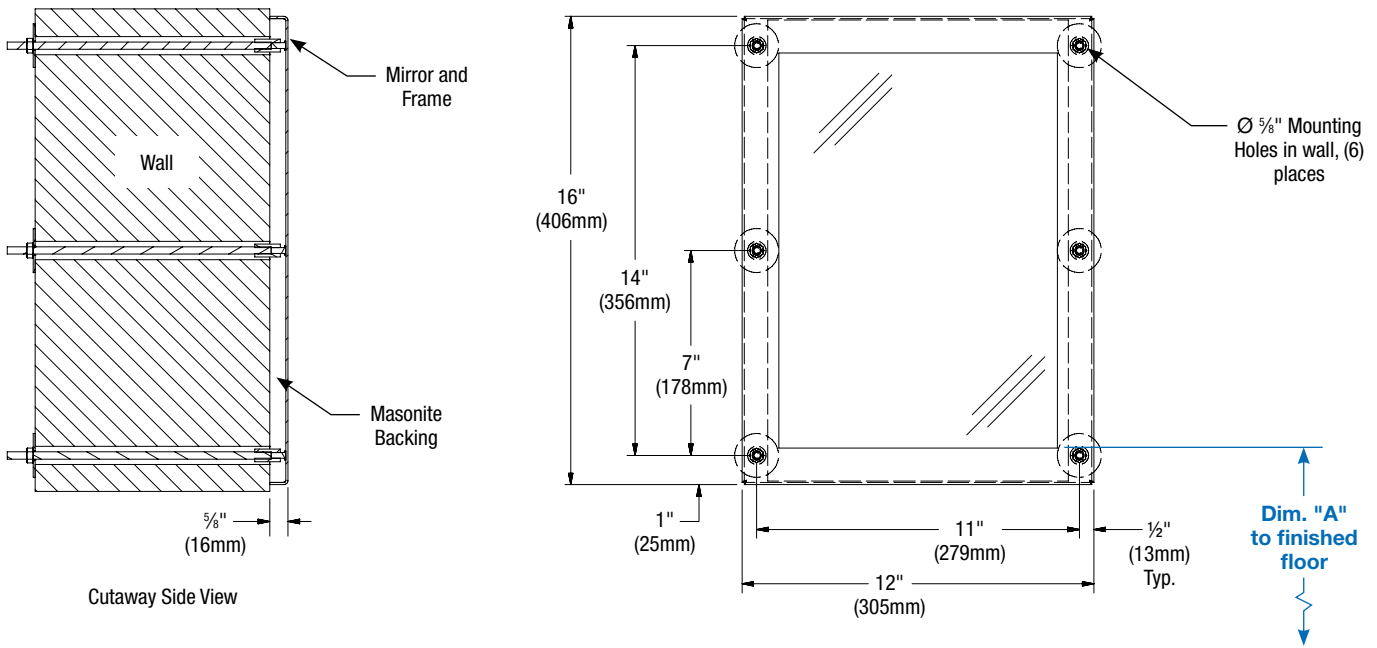


A WATTS Brand

# SA01

## Security Framed Wall Mirror

### Dimensions



<b>Dim. "A" Key Surface:</b>	For Dim. "A"	Top of Unit	Bottom of Unit
Mirror's bottom edge of the reflective surface to finished floor	40" (1016mm)	55" (1397mm)	39" (991mm)
	37" (940mm)	52" (1321mm)	36" (914mm)
	34" (864mm)	49" (1245mm)	33" (838mm)
<b>Rough wall opening:</b>			
Surface Mount:	No rough wall opening, see overall dimensions		