



Model SA03-1 (Stainless Steel)

Product Materials

FRAME: 14-gauge stainless steel, seamless construction, with exposed surfaces in architectural satin finish. Unit supplied with ¼" - 20 x 1½" T27 Torx-head machine screws for installation to wall anchors (not included). Mirror material held to frame by fiberboard backing.

MIRROR: Mirror is 20-gauge, stainless steel polished to a No. 8 architectural finish. Stretcher leveled for uniform finish. Very bright – excellent reflectivity, very slight polish grain.

- Stainless steel mirrors will differ in optical quality from glass mirrors.

ADA Compliant

- Consult local and national accessibility codes for proper installation guidelines.
- Conformity and compliance to local and national codes is the responsibility of the installer.





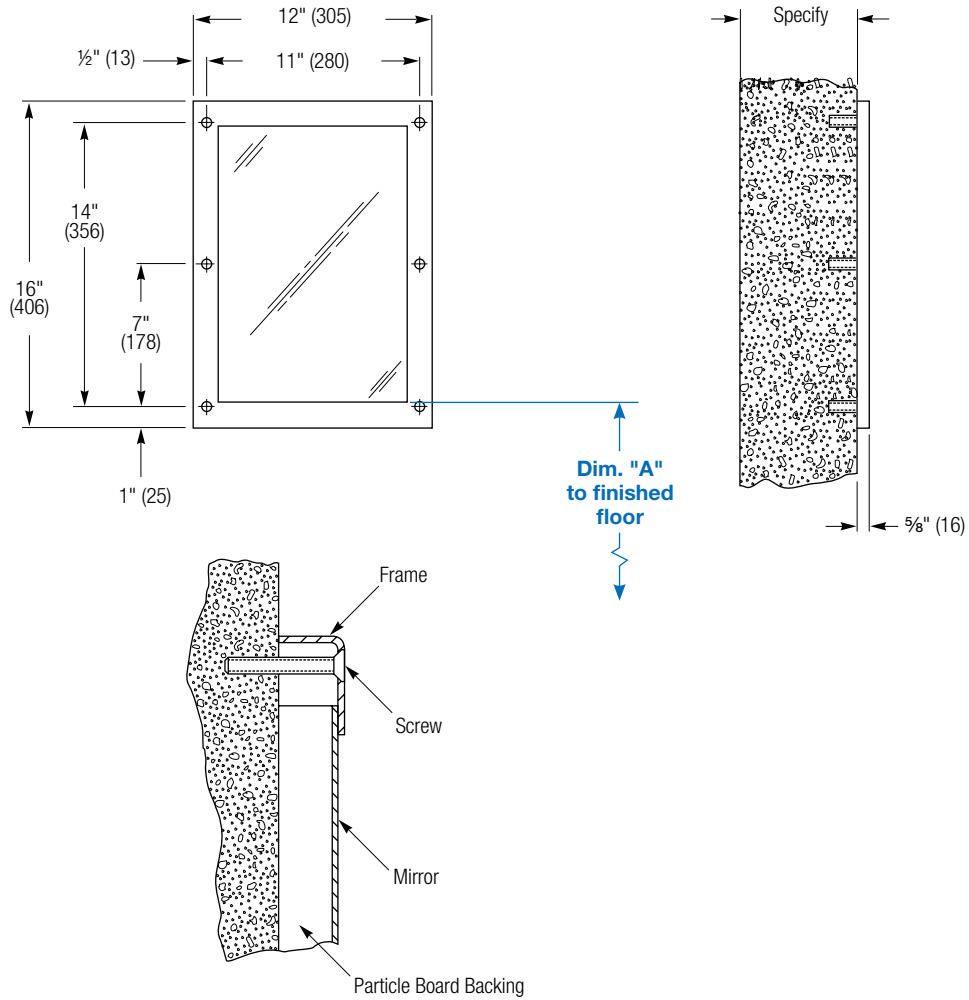
A WATTS Brand

SA03

Security Framed Wall Mirror, Front-Mounted

Dimensions

(mm)



Dim. "A" Key Surface:	For Dim. "A"	Top of Unit	Bottom of Unit
Mirror's bottom edge of the reflective surface to finished floor	40" (1016)	55" (1397)	39" (991)
	37" (940)	52" (1321)	36" (914)
	34" (864)	49" (1245)	33" (838)
Rough wall opening:			
Surface Mount:	No rough wall opening, see overall dimensions		