



### Security towel hook:

#### Model SA36 – Front Mounted **Bradex**®

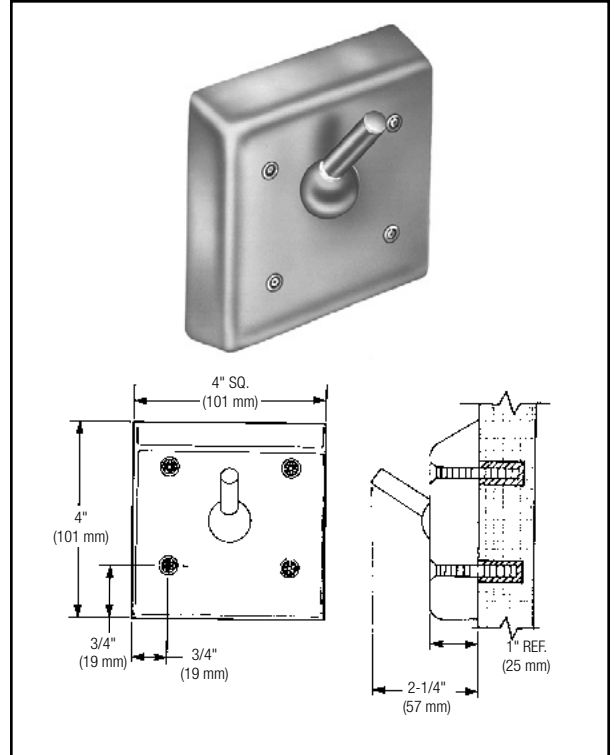
### Product Materials

**BACKPLATE:** 14 gauge stainless steel with exposed surfaces in architectural satin finish. All seams are welded and ground smooth.

**SAFETY HOOK:** stainless steel with pivoting ball joint that releases when more than 20 lbs. of force is applied.

### Installation

Verify all rough-in dimensions prior to installation. Unit supplied with ¼" - 20 x 1½" T27 torx head machine screws for installation to wall anchors (not included).



Orders composed of products indicated as **Bradex**® will be available to ship in three days after receipt of order at the factory. There is no pricing penalty for this service from Bradley.