

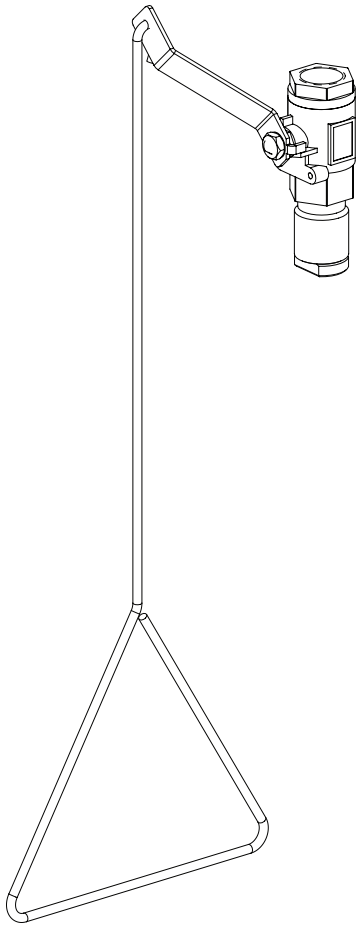
Installation

S19-130SS

Stainless Steel Drench Shower Vertical Supply

Table of Contents

Pre-Installation Information	2
Installation	3
Assembly of Components and Parts List	4



Read the instructions in this manual before beginning installation. Save these instructions and refer to them for inspection, maintenance and troubleshooting information.

For questions regarding the operation, installation or maintenance of this product, visit bradleycorp.com or call 800.BRADLEY (800.272.3539).

Product warranties and parts information may also be found under “Resources” on our website at bradleycorp.com.



Safety Information

To ensure proper operation:

Installation

This fixture has been designed and 3rd party tested to meet ANSI/ISEA Z358.1. The system must be tested periodically to be sure it is functioning properly to meet the standard. Please refer to the ANSI/ISEA Z358.1 standard on testing requirements.

The installation, maintenance and location of all safety drench showers, eye and eye/face washes must comply with the requirements of ANSI/ISEA Z358.1. Workers who may come in contact with potentially hazardous materials should be trained regarding the location and proper operation of emergency equipment per ANSI/ISEA Z358.1.

ANSI/ISEA Z358.1 requires this unit to be used with a clean, potable, uninterrupted supply of tepid water. Bradley plumbed emergency fixtures require a minimum of 30 psi flowing pressure in order to function as designed and meet the ANSI/ISEA Z358.1 standard.

Before installation make sure that this equipment will meet the requirements of the potential hazardous contaminants in your location.

Installation of this system must be completed by a qualified plumber in compliance with all national and local codes. Compliance and conformity to drain requirements and other local codes and ordinances is the responsibility of the installer.

Weekly Inspections

To ensure all emergency shower and eye/face wash fixtures are ready to be used when needed, regular checks and maintenance must be conducted. Weekly inspections must be conducted on all safety equipment to make sure a suitable flushing fluid supply is present and to make sure the equipment is in good operating condition.

Water Temperature

ANSI/ISEA Z358.1 requires tepid water. Suitable range is 60°F to 100°F (16°C to 38°C). Personal injury is possible outside this temperature range.

Supplies Required

- Pipe sealant
- Piping to 1" NPT water supply inlet
- Adequate supply pipe supports
- Minimum 4" (102 mm) drain to accommodate 30 gallons (115 liters) per minute discharge for shower waste
- Sign-mounting hardware

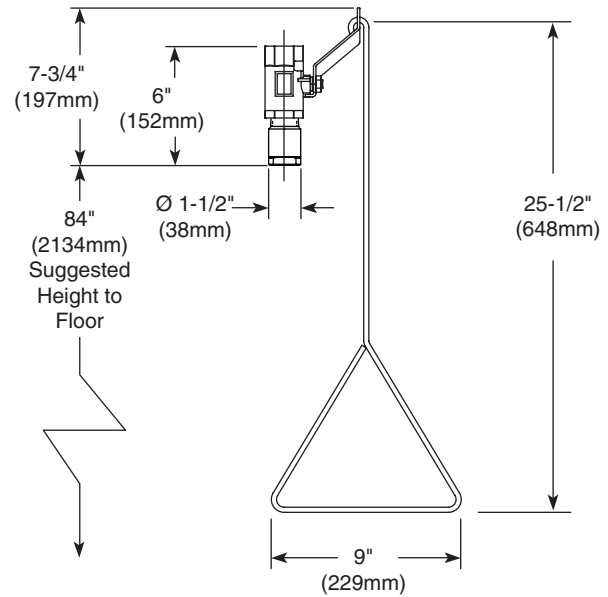
Assemble components

1. Assemble components as shown on page 4.
2. Apply pipe sealant (supplied by installer) to all male-threaded pipe joints.
3. The bottom edge of the showerhead should be 84" (2134 mm) from the floor.

Connect water supply

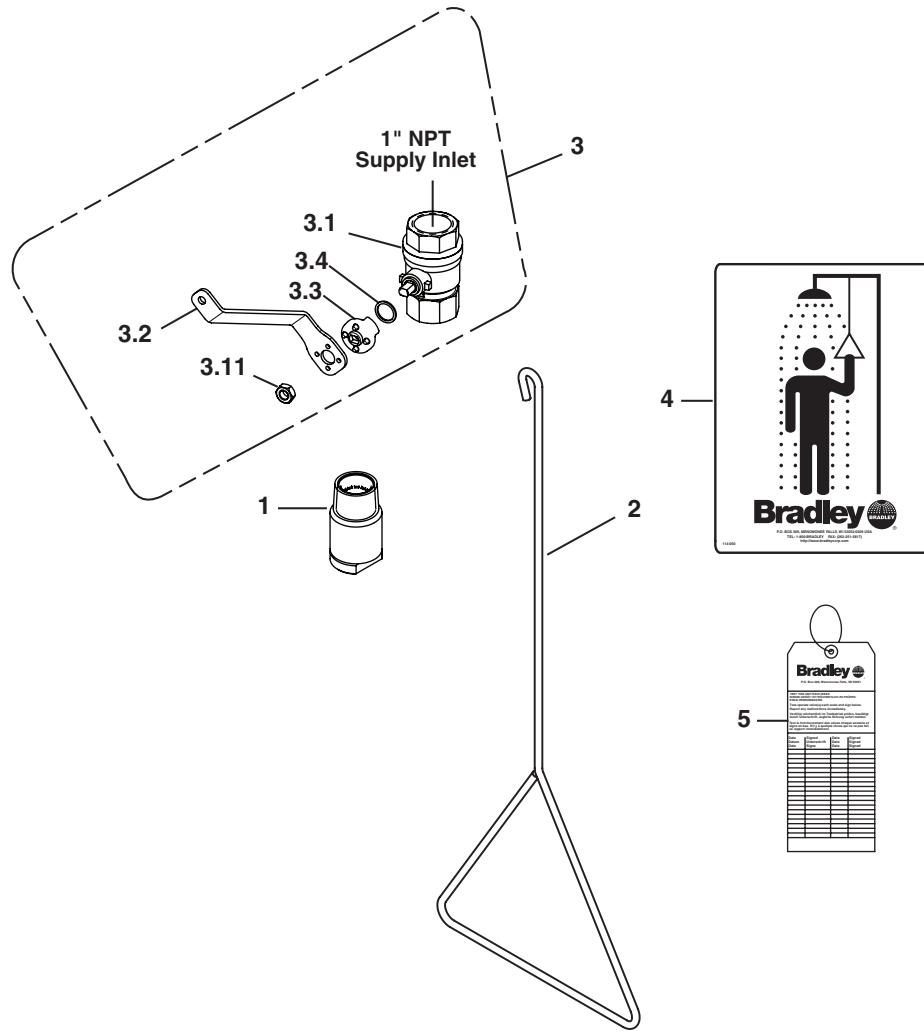
NOTICE! Do not rely on Bradley's Drench Shower to support supply piping.

1. Connect water supply piping to 1" NPT inlet on unit (piping supplied by installer). Provide adequate supports (supplied by installer) for supply pipe using pipe hangers or other means.
2. Mount the safety sign to the wall using sign-mounting hardware supplied by installer.



All dimensions assume standard thread engagement. Variations in manufacturing allow for $\pm 1/8"$ (3mm) per threaded joint. To find the tolerance of a dimension, add the number of thread joints in between a dimension and multiply it by $1/8"$ (3mm).

Assembly of Components



Items 3.1–3.4 come preassembled as Item 3.

Parts List

Item	Part No.	Qty.	Description	Item	Part No.	Qty.	Description
1	S24-191	1	Stainless Steel Showerhead	3.2	128-202	1	Handle
2	128-156A	1	Pull Rod, 25½"	3.3	153-489	1	Adaptor
3	S30-062	1	1" Stay-Open Ball Valve Assembly	3.4	124.048	1	Washer
3.1	S27-368	1	1" Ball Valve with Nut	4	114-050	1	Safety Sign
3.11	110-264	1	Jam Nut Only	5	204-421	1	Emergency Inspection Tag