

- Exceeds American National Standard Z358.1 Specifications
- Galvanized Steel Protected with BradTect® Safety Yellow Coating
- Combination Units may be Top-Supplied or Mid-Supplied
- Universal Identification Sign and Inspection Tag Included
- Full, One-Year Warranty
- SpinTec™ showerheads are covered by one or more of the following patents: 8113446; D594,089; D669,555; Reg. Comm. Des. D001079560-0001. Other patents pending.
- Classified by Underwriters Laboratory Inc. to ANSI Z358.1

Specifications

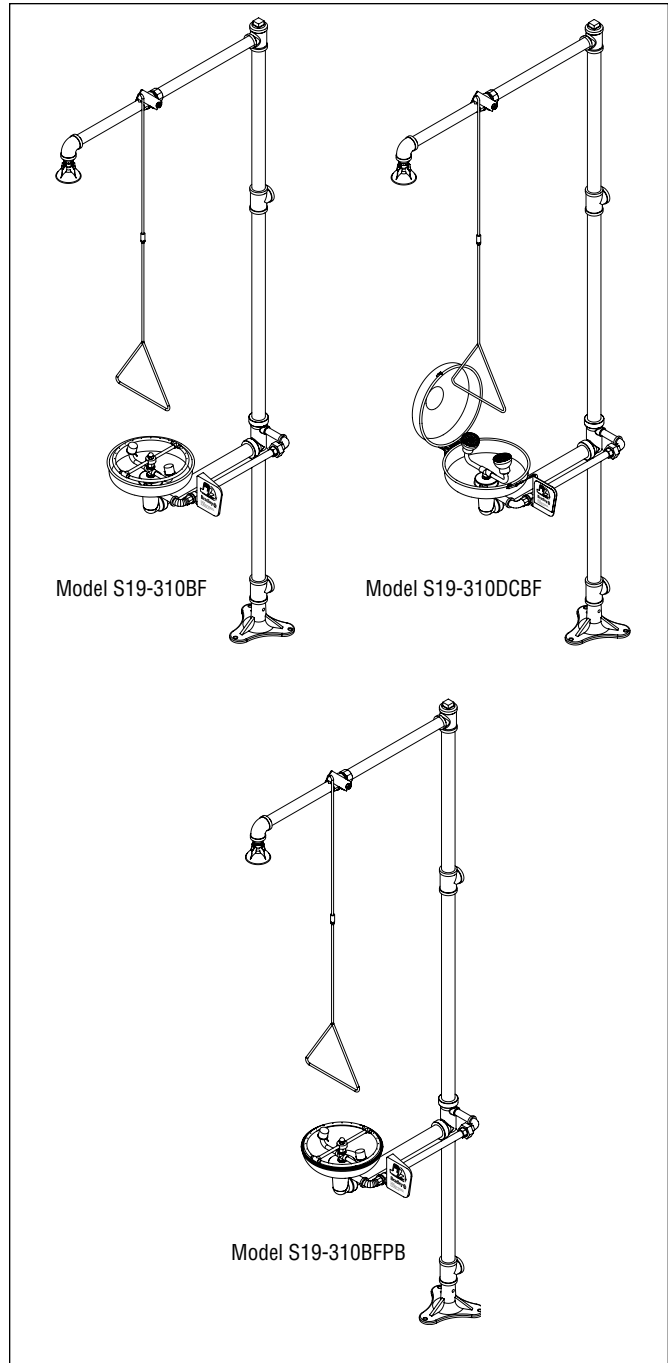
Barrier-free design makes this drench shower and eye/face wash unit fully accessible to people with physical disabilities. Bradley meets accessibility codes by assuring proper placement of shower and eye/face wash components. Unit saves space and fits easily into any work environment. Shower valve operates quickly by a pull rod with a triangular handle. Eye/Face Wash operated by a large, highly visible push handle. Safe, steady water flow under varying water supply conditions from 30–90 PSI is assured by integral flow control in the sprayhead assembly. NOTE: The ANSI Z358.1 standard requires an uninterrupted supply of flushing fluid at a minimum 30 PSI flowing pressure.

This plumbing fixture is not intended to dispense water for human consumption through drinking or for preparation of food or beverages.

| Model | Description |
|--------------------------------------|---|
| <input type="checkbox"/> S19-310BF | Barrier-Free Drench Shower and Eye/Face Wash with Face Spray Ring and Stainless Steel Bowl |
| <input type="checkbox"/> S19-310BFPB | Barrier-Free Drench Shower and Eye/Face Wash with Face Spray Ring and Plastic Bowl |
| <input type="checkbox"/> S19-310DCBF | Barrier-Free Drench Shower and Eye/Face Wash with Hinged Dust Cover |
| <input type="checkbox"/> S19-2200 | Navigator EFX60 - Emergency Thermostatic Mixing Valve |

Recommended Option:
 Navigator S19-2200 EFX60
 Emergency Thermostatic Mixing Valve

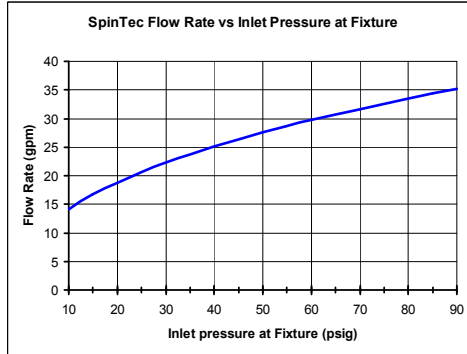
 Satisfies ANSI Z358.1
 tepid water requirements.



Standard Equipment

SpinTec™ Showerhead

Standard showerhead is 3.1" (78.7mm) diameter highly visible yellow impact-resistant plastic. SpinTec drench showerhead features integral 22 GPM flow control, conserving water and helping to accurately size your tepid water system.



Shower Valve

Chrome-plated brass 1" NPT stay-open ball valve. Operated by a stainless steel rod with triangular handle.

Eye/Face Wash Bowl

10" (254mm) diameter yellow impact-resistant plastic. S19-310DCBF includes a 10¾" (273mm) diameter corrosion-resistant stainless steel dust cover.

Standard Sprayhead Assembly

Chrome-plated brass sprayhead with twin soft-flow eyewash heads and protective sprayhead covers. Safe, steady water flow under varying water supply conditions from 30–90 PSI is assured by integral flow control in the sprayhead assembly.

Eye/Face Wash Sprayheads (S19-310DCBF only)

Twin perforated-disc eye/face wash heads with protective prayhead covers. Safe, steady water flow under varying water supply conditions from 30–90 PSI is assured by integral flow control in the sprayhead assembly.

Eye/Face Wash Valve

Chrome-plated brass ½" NPT stay-open ball valve. Hand operated by highly visible safety yellow PVC push handle.

Face Spray Ring

Chrome-plated circular spray ring provides supplemental face spray. Flow control assures adequate flow from eyewash nozzles and face spray ring from 30-90 PSI.

Pipe and Fittings

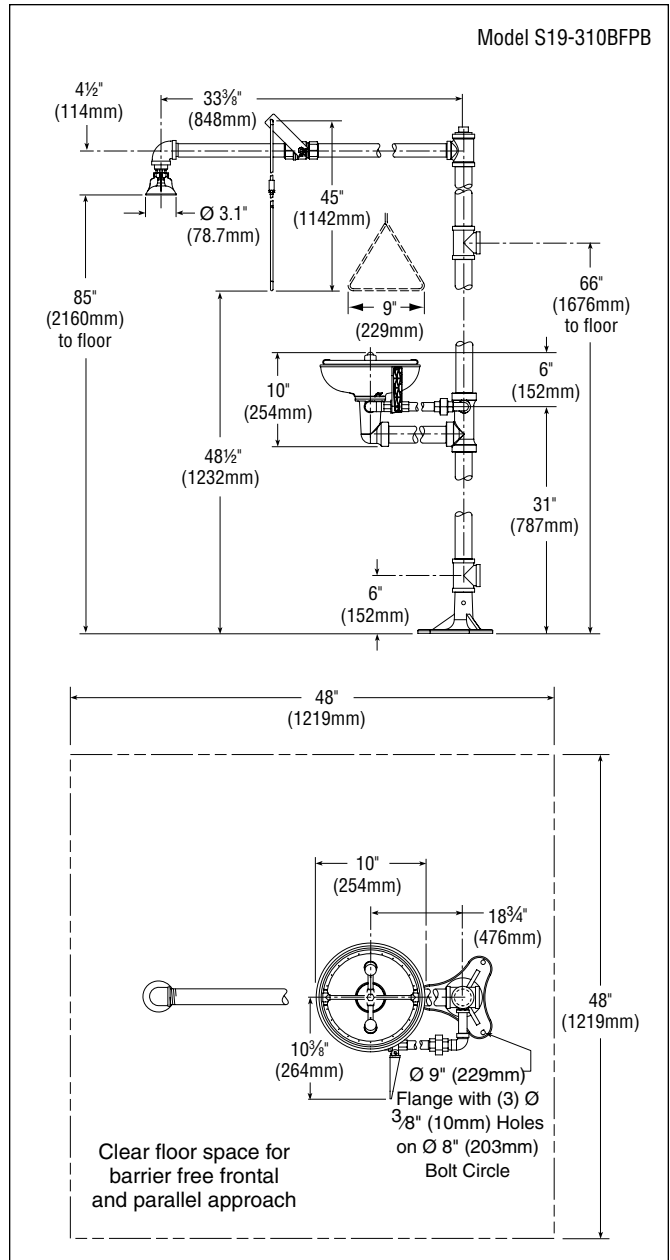
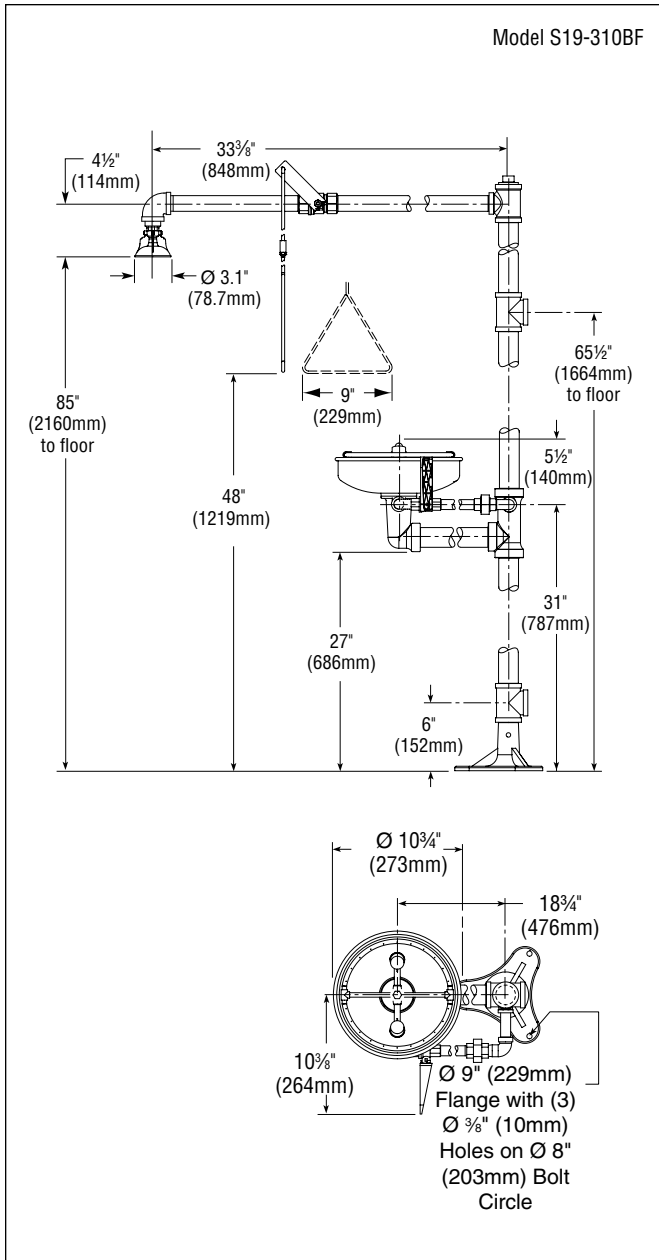
1¼" galvanized steel with BradTect® safety yellow coating.

Water Supply

1¼" NPT.

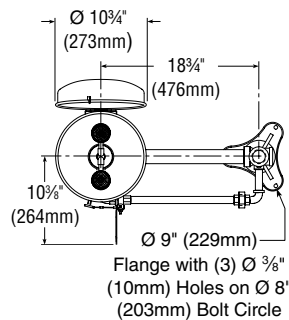
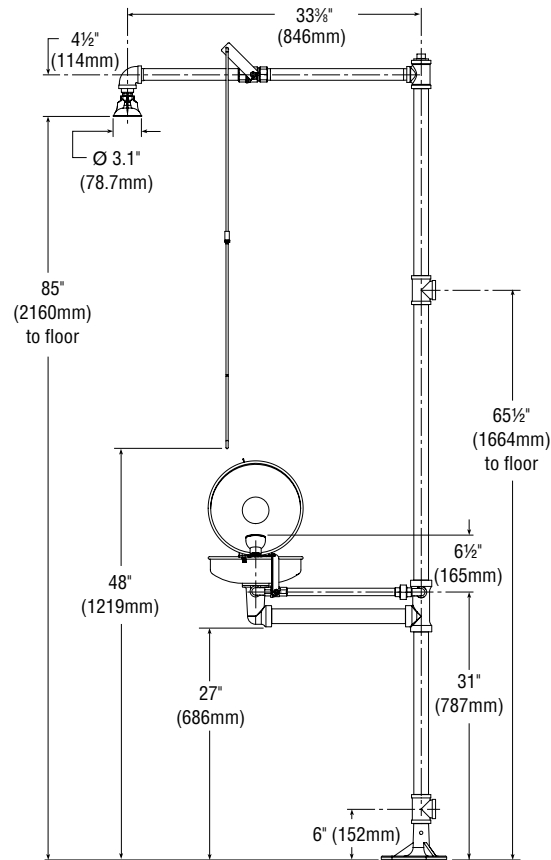


Local codes may require the installation of a backflow prevention valve to complete proper installation. Compliance with local codes is the responsibility of the installer. Valve must be tested annually to verify that it is functioning properly. Backflow prevention valves are not included with the fixture and may be supplied by the contractor or purchased from Bradley Corporation.



All dimensions assume standard thread engagement. Variations in manufacturing allow for +/- 1/8" (3mm) per threaded joint. To find the tolerance of a dimension, add the number of thread joints in between a dimension and multiply it by 1/8" (3mm).

Model S19-310DCBF



All dimensions assume standard thread engagement. Variations in manufacturing allow for +/- 1/8" (3mm) per threaded joint. To find the tolerance of a dimension, add the number of thread joints in between a dimension and multiply it by 1/8" (3mm).