



SS-3N Express® Lavatory System – SS-Series

Key Features

- ADA, ANSI, and UFAS compliant
- Serves one to three users at a time
- Continuous bowl is constructed of vandal-resistant Terreon® solid surface material
- Available in a variety of colors
- Available with infrared, battery infrared, air or TouchTime®

Specifications

Accommodates one to three users. These units handle washroom traffic quickly and economically, while providing each user with their own personal space. The lavatories for the Express® system are positioned on 30" centers. The preassembled sprayhead module is equipped with independent aerators each served by a separate infrared sensing module and solenoid valve (Model SS-3N/IRP), a pushbutton air metering valve (Model SS-3N/AST4), an independent battery infrared sensor and batteries (Model SS-3N/BIR3), TouchTime mechanical pushbutton (Model SS-3N/TTPA) or TouchTime piezo switch (SS-3N/TTPB). Operating range is 20–80 psi. Flow restrictor keeps flow rate constant at all pressures.

Construction

Bowl/Sprayhead Cover

Constructed of Terreon, a densified solid surface material composed of a bio-based resin. Terreon is resistant to chemicals, stains, burns, and impact. Surface damage can be easily repaired with everyday cleansers or fine grit abrasives. Terreon is GREENGUARD® certified as low-emitting materials.

Access Panels & Sprayhead Body

Access panels are composed of high impact polymer. Sprayhead bodies are injection molded poly-blend. Highly resistant to impact, abrasion and corrosion, the parts will not dent, chip, peel or flake.

Support Frame

Bowl assembly and panel are secured to a heavy gauge stainless steel support frame mounted to the wall. Standard frame (floor unit) includes scuff base.

Vandal Resistance

The molded sprayhead is an integral part of the bowl module. Its concealed vandal-resistant streamformers discourage abuse. The infrared sensor will automatically shut off water flow after 30–45 seconds if a vandal attempts to trigger constant operation by covering the sensor or by placing a stationary object in the sensor's detection area. Pushbuttons are secured to the unit from inside the sprayhead. Air valves, water supplies, control boxes, and waste are concealed within the pedestal/support frame assembly.

Standard Frame

The standard frame on the Express SS-Series includes a scuff base and is designed to comply with all ADA guidelines on reaches, clearances and operation for adult users.

Wall-Hung Frame

The wall-hung frame on the Express® SS-Series (less scuff base) is designed to mount at different heights (adult and children) to comply with guidelines on reaches, clearances and operation for various codes including, ADA Accessibility Guidelines for Buildings and Facilities (ADAAG) and TAS (Texas Accessibility Standards). Always check your local and state codes.

Verify all rough-in dimensions prior to installation.

Consult local and national codes. Conformity and compliance to local and national codes is the responsibility of the installer.

Page 1 of 6

2/19/2024

[View Latest Version](#)

This information is subject to change without notice.

Bradley_Sink_Express_SS-3N



Product Compliance

Listed by IAPMO R&T to

- Uniform Plumbing Code (UPC)
- National Plumbing Code of Canada
- International Plumbing Code (IPC)
- IGC 156 and the requirements of CSA B45.5/IAPMO Z124 and ASME A112.18.1/CSA B125.1



Listed by NSF International to

- NSF/ANSI 372



Complies with

- ADA
- ICC/ANSI 117.1
- TAS



Listed by UL Environment to

- GreenGuard Gold



Sustainability

Terreon participates in the mindful MATERIALS library



Serves the American Disabilities Act and ICC/ANSI 117.1 guidelines, citations 306, 308, 309.4, 606.4, 606.5 when installed according to these requirements. Consult local codes and standards.



This plumbing fixture is designed for hand washing only. It is not intended to dispense water for human consumption through drinking or for preparation of food or beverages.

© 2024 Bradley

P.O. Box 309, Menomonee Falls, WI 53052-0309
800 BRADLEY (800 272 3539)

+1 262 251 6000
bradleycorp.com



SS-3N

Express® Lavatory System – SS-Series

Standard Equipment

Bowls

Bowl with three lavatories, pedestal, stainless steel mounting frame (as described above), and the following fittings: P-trap, tailpiece, two flexible stainless steel supply connections, and Navigator® thermostatic mixing valve with stop valves and 120VAC/12VDC plug-in adapter (model SS-3N/IRP, SS-3N/TTPA, SS-3N/TTPB only). Batteries are included in Model SS-3N/BIR3.

Activation Controls

Infrared (Model SS-3N/IRP)

Each of the aerators is controlled by a separate slow-closing solenoid valve. Hands placed within the bowl are detected by an infrared sensor module, which activates a flow of tempered water from one station at a rate of 0.50 gpm (1.9 Lpm). Shut-off is automatic after hands are removed from the detection area.

The infrared sensor uses a conical-shaped transmitting beam, having a detection area adapted to, but not exceeding, the bowl perimeter. The detection area projects forward 15° to each side and 15° below horizontal. The adaptive infrared sensor automatically adapts to the bowl after power is turned on.

The infrared sensor is not affected by varying color tones or darkness. Direct sunlight or bright washroom lights will not activate the system. Infrared models also include solenoid valves and a low voltage plug-in adapter as standard equipment:

- Solenoid - 12VDC, 3/8" NPT. Few moving parts, and resistant to most chemicals, minerals and impurities often present in municipal water supplies.
- Low Voltage Plug-In Adapter - UL/CSA listed, 120VAC/12VDC plug-in adapter. Plugs into a standard GFCI protected electrical outlet.

Air (Model SS-3N/AST4)

Each push button pneumatically actuates a non-hold-open, air metering, single temperature valve with field-adjustable timing from 0–45 seconds. Factory preset at 10 seconds. Each push button activates one valve which, in turn, activates one station at a rate of 0.10 gpc (0.38 Lpc). Pushbutton requires less than five pounds of pressure.

TouchTime (Model SS-3N/TTPA and Model SS-3N/TTPB)

Each low voltage mechanical pushbutton or piezo switch actuates a non-hold-open, slow closing anti-hammer solenoid valve that is timed from an electronic potted assembly. Each pushbutton activates one valve, which, in turn, activates one station flowing tempered water at a rate of 0.10 gpc (0.38 Lpc). TouchTime controls water flow at each station through the use of solid-state, digital circuitry. Timing is factory set at a 15 second run time, but is field adjustable to pre-set timeout periods and optional auto-flush function. The 24 hours flush function will activate water flow for a period of 60 seconds any time there has been no activation within the past 24 hours. Pushbutton requires less than five pounds of pressure.

Battery Infrared (Model SS-3N/BIR3)

Each battery-powered sensor uses a zone-focused infrared transmitting beam, creating a large detection area not exceeding the bowl perimeter. The sensor is not affected by varying skin tones or darkness. When hands enter the detection area, the sensor starts water flow by opening the valve electronically. Tempered water flows at a rate of 0.50 gpm (1.9 Lpm). When hands leave the detection area, the sensor stops the flow of water by closing the electronically activated solenoid valve. The 6V DC, electronically-activated solenoid valve has few moving parts, providing reliable operation that is unaffected by most chemicals and minerals often present in municipal water supplies. Each station is powered by a single lithium battery. Battery type is Duracell® DL 223A 6V lithium or equivalent (batteries included) with a life expectancy of 4–5 years or approximately 200,000 cycles.

Optional Equipment

Soap Dispenser Type

The Express SS-Series features an optional soap dispenser. Each hi-impact polymer tank is gravity-fed with a vertically mounted chrome plated brass valve. For refilling, the soap tank is easily removed from the sprayhead body by releasing a concealed, tamper-resistant leaf spring, which locks the tank in place. The soap valve will dispense vegetable/coconut oil liquid soaps, synthetic detergents, viscous lotion soaps and antiseptic solutions. Soap tank capacity is 3/4 gallon.

Verify all rough-in dimensions prior to installation.

Consult local and national codes. Conformity and compliance to local and national codes is the responsibility of the installer.

Page 2 of 6

2/19/2024

[View Latest Version](#)

This information is subject to change without notice.

Bradley_Sink_Express_SS-3N

Protected by one or more of the following U.S. patents: 5,369,818, 5,611,093, D398,969, D447,224, and D511,821 and the following Canadian patent: 2,121,886. Other patents pending.

© 2024 Bradley

P.O. Box 309, Menomonee Falls, WI 53052-0309
800 BRADLEY (800 272 3539) +1 262 251 6000
bradleycorp.com

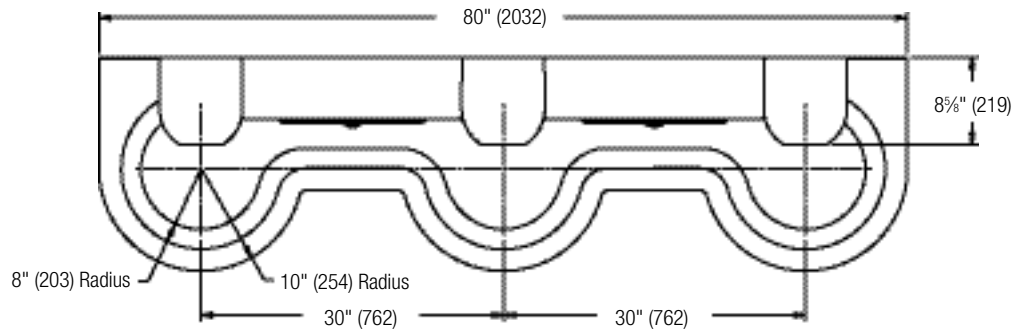


SS-3N Express® Lavatory System – SS-Series

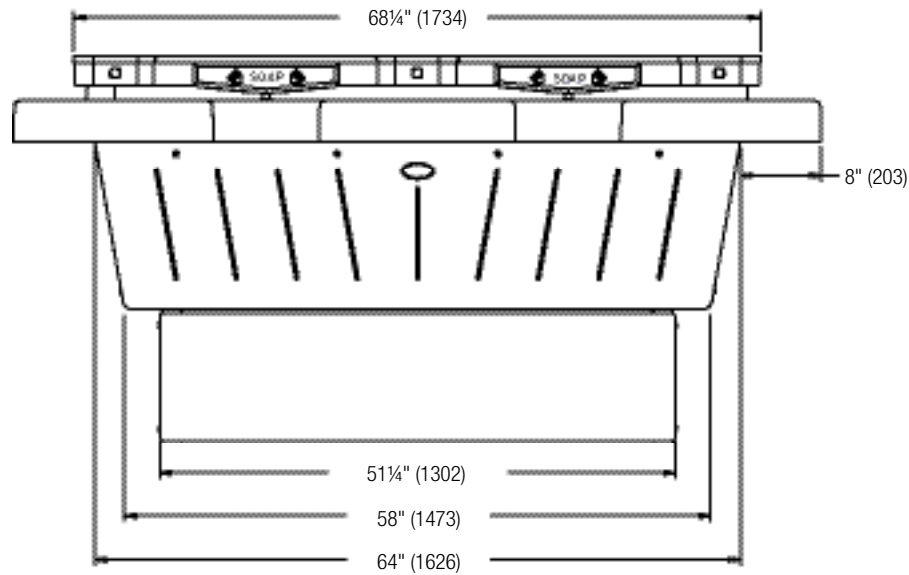
Dimensions - Top and Front Views

(mm)

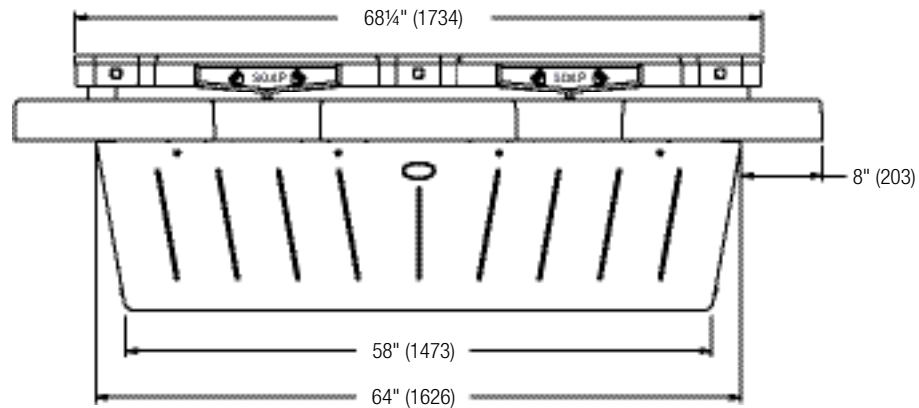
Top View



Front View Standard Frame



Front View Wall-Hung Frame



Verify all rough-in dimensions prior to installation.

Consult local and national codes. Conformity and compliance to local and national codes is the responsibility of the installer.

Page 3 of 6

2/19/2024

[View Latest Version](#)

This information is subject to change without notice.

Bradley_Sink_Express_SS-3N

© 2024 Bradley
P.O. Box 309, Menomonee Falls, WI 53052-0309
800 BRADLEY (800 272 3539) +1 262 251 6000
bradleycorp.com



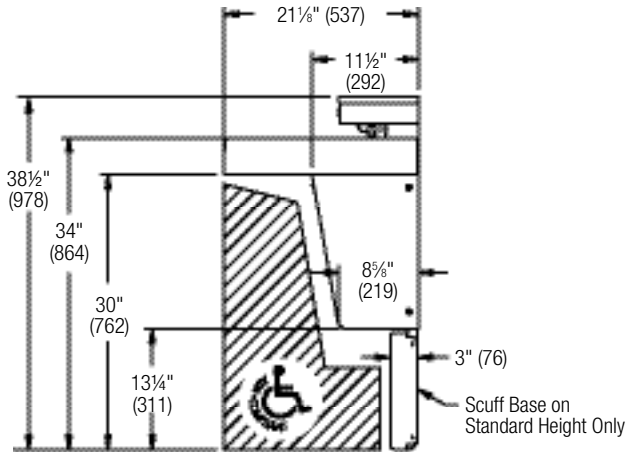
A WATTS Brand

SS-3N Express® Lavatory System – SS-Series

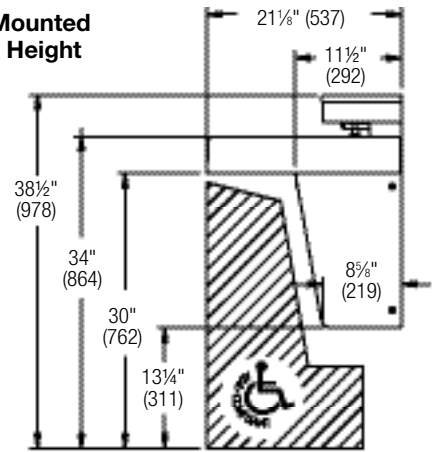
Dimensions - Side Views

(mm)

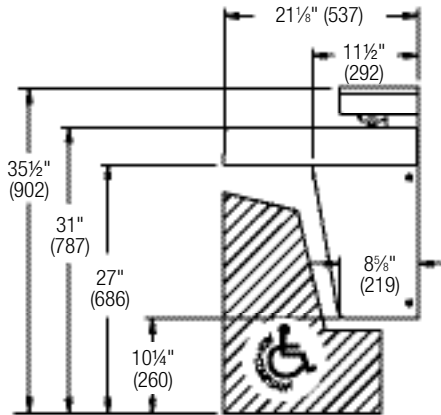
Standard Height



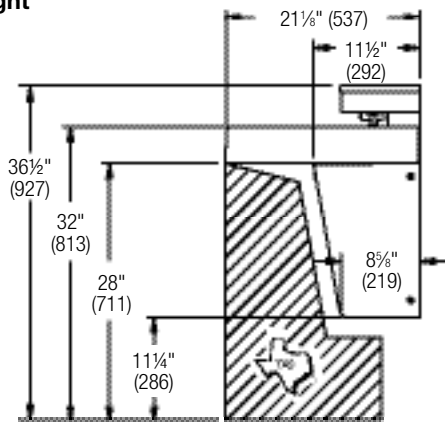
Wall Hung Mounted at Standard Height



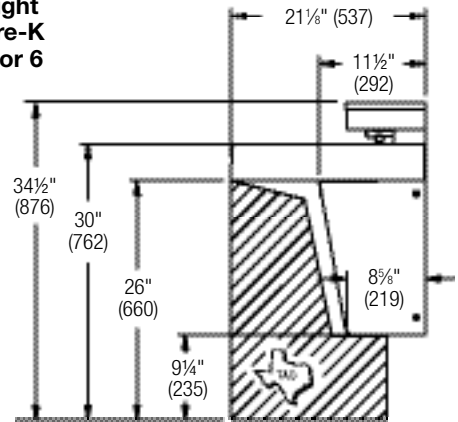
Wall Hung Mounted at Juvenile Height Ages: 6 through 12



Wall Hung Mounted at TAS Height Grades: 6 through 8 or 9



Wall Hung Mounted at TAS Height Grades: Pre-K through 5 or 6



Verify all rough-in dimensions prior to installation.
Consult local and national codes. Conformity and compliance to local and national codes is the responsibility of the installer.
Page 4 of 6
This information is subject to change without notice.
Bradley_Sink_Express_SS-3N

2/19/2024

[View Latest Version](#)

© 2024 Bradley
P.O. Box 309, Menomonee Falls, WI 53052-0309
800 BRADLEY (800 272 3539) +1 262 251 6000
bradleycorp.com



SS-3N Express® Lavatory System – SS-Series

Rough-Ins

(mm)

Mounting for Standard and Wall Hung Heights Are Shown

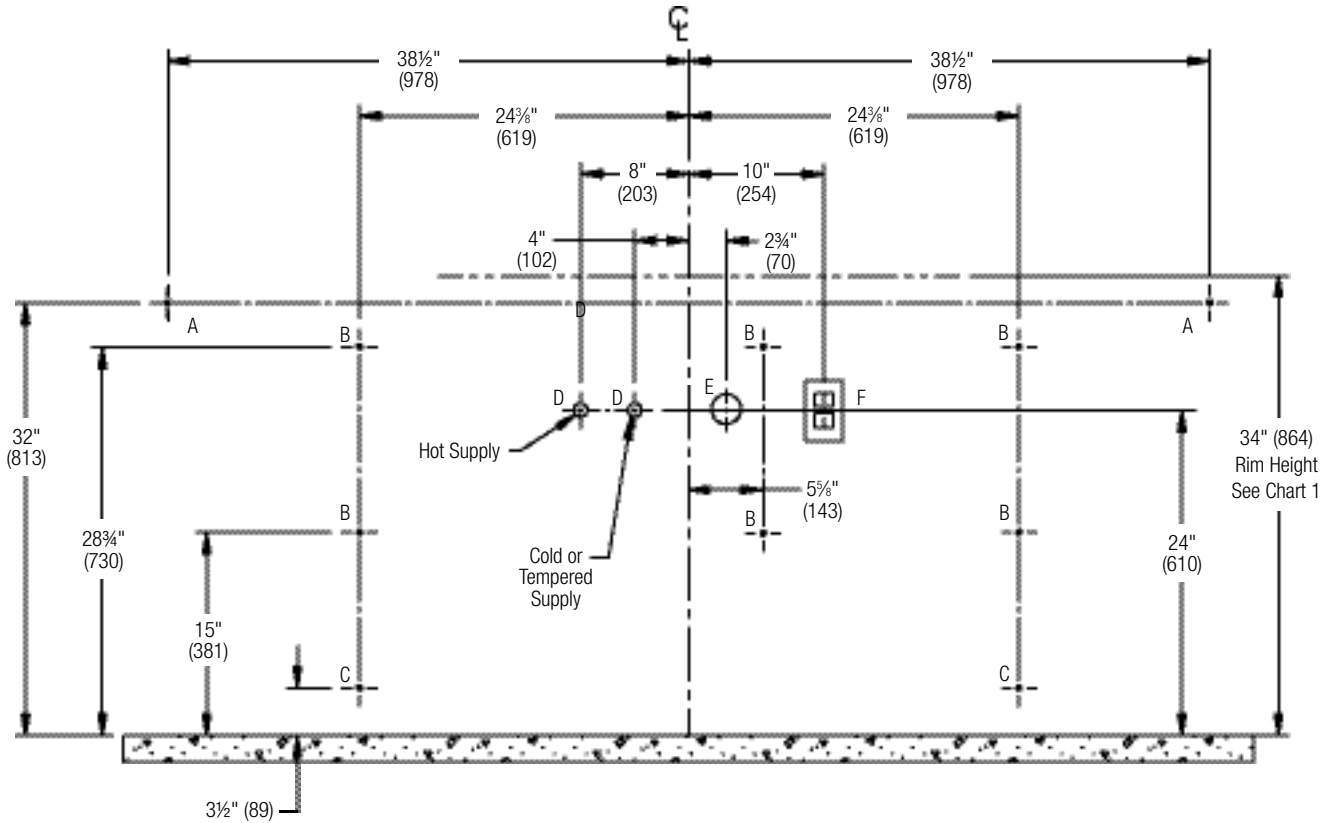


Chart 1

Rim Height	Vertical Height Adjustments Codes A, B, C, D, E, F, G and H	Fixture Style
34"	None	Standard Height
34"	None	Wall Hung
32"	Subtract 2"	TAS, Grades 6 through 8 or 9
31"	Subtract 3"	Juvenile Height
30"	Subtract 4"	TAS, Pre-K through Grades 5 or 6

Chart 2

Code	Description	Qty.
A	3/8" Bowl Wall Anchors with a minimum pull out force of 1,000 lb	2
B	3/8" Main Frame Wall Anchors with a minimum pull out force of 1,000 lb	6
C	3/8" Base Frame Wall Anchors with a minimum pull out force of 1,000 lb Standard frame option only	2
D	1/2" Nominal Copper Tubing for Hot/Cold Supplies, Stub-Out 2" from Wall	2
E	1 1/2" NPT Drain, Stub-Out 2" from Wall	1
F	110V GFCI Protected Electrical Outlet. I.R. and TouchTime Only	1

Verify all rough-in dimensions prior to installation.

Consult local and national codes. Conformity and compliance to local and national codes is the responsibility of the installer.

Page 5 of 6

2/19/2024

[View Latest Version](#)

This information is subject to change without notice.

Bradley_Sink_Express_SS-3N

© 2024 Bradley
P.O. Box 309, Menomonee Falls, WI 53052-0309
800 BRADLEY (800 272 3539) +1 262 251 6000
bradleycorp.com



A WATTS Brand

SS-3N Express® Lavatory System – SS-Series

Standard Selections (Must select one from each category)			
Activation Type			
IRP	Infrared		
AST4	Air Pushbutton		
TTPA	TouchTime Pushbutton		
TTPB	TouchTime Piezo Switch		
BIR3	Battery Infrared		
Pedestal Type (select one)			
STD	Standard Frame (Includes Scuff Base)		
WH	Wall-Hung Frame		
Soap Dispenser Type (select one)			
LSD-2	One Integral Liquid Soap Dispenser (SS-2N)		
NSD	No Soap Dispenser		
Water Supply Type (select one)			
TMA	Navigator® Thermostatic Mixing Assembly (Hot and Cold Supplies)		
TL	Single Tempered Line		
Color of Terreon Bowl/Sprayhead Cover (select one)			
NOTE: Click on any swatch to view as a larger image.			
<i>Standard Colors</i>			
ALP-WHT <input type="checkbox"/>	Alpine White	PEBBLE <input type="checkbox"/>	Pebble Beach
CHAR <input type="checkbox"/>	Charcoal Gray	PEP-WHT <input type="checkbox"/>	Peppered White
DRIFT <input type="checkbox"/>	Driftwood †	POLAR <input type="checkbox"/>	Polar Ice †
DS-WHT <input type="checkbox"/>	Designer White	RIVER <input type="checkbox"/>	Riverstone
E-GRAY <input type="checkbox"/>	Empire Gray	SAND <input type="checkbox"/>	Sandtrap
GLACIER <input type="checkbox"/>	Glacier	S-CREEK <input type="checkbox"/>	Stone Creek
GRAPH <input type="checkbox"/>	Graphite	S-MIST <input type="checkbox"/>	Silver Mist
LANNON <input type="checkbox"/>	Lannonstone	WHT-SAND <input type="checkbox"/>	White Sand
MOONSTONE <input type="checkbox"/>	Moonstone †		
Access Panel/Sprayhead Color (select one)			
COAL	Coal		

Optional Selections	
Waste Assembly Type	
S-CHROME	Single Chrome-Plated P-Trap
S-POLY	Single Polypropylene P-Trap

† This color contains large, randomly distributed chips.

Verify all rough-in dimensions prior to installation.
 Consult local and national codes. Conformity and compliance to local and national codes is the responsibility of the installer.
 Page 6 of 6 2/19/2024
 This information is subject to change without notice.
 Bradley_Sink_Express_SS-3N

[View Latest Version](#)

© 2024 Bradley
 P.O. Box 309, Menomonee Falls, WI 53052-0309
 800 BRADLEY (800 272 3539) +1 262 251 6000
 bradleycorp.com