



SS-3N

Express® Lavatory System – SS-Series

- ADA, ANSI and UFAS Compliant
- Serves One to Three Users at a Time
- Continuous Bowl is Constructed of Vandal Resistant Terreon® or Terreon®RE Solid Surface Material
- Available in a variety of colors
- Available with Infrared, Battery Infrared, Air or TouchTime®

Specifications

Accommodates one to three users. These units handle washroom traffic quickly and economically, while providing each user with their own personal space. The lavatories for the Express® system are positioned on 30" centers. The preassembled sprayhead module is equipped with independent aerators each served by a separate infrared sensing module and solenoid valve (Model SS-3N/IRP), a push button air metering valve (Model SS-3N/AST4), an independent battery infrared sensor and batteries (Model SS-3N/BIR3), TouchTime mechanical pushbutton (Model SS-3N/TTPA) or TouchTime piezo switch (SS-3N/TTPB). Standard flow rate of .5 GPM meets industry standards for water conservation, while providing enough water to rinse hands quickly and efficiently. Operating range is 20–80 PSI. Flow restrictor keeps flow rate constant at all pressures.

Construction

Bowl/Sprayhead Cover

Constructed of Terreon, a densified solid surface material composed of a bio-based resin, or TerreonRE, a densified solid surface material composed of a bio-based resin and preconsumer recycled granules. Terreon and TerreonRE are resistant to chemicals, stains, burns and impact. Surface damage can be easily repaired with everyday cleansers or fine grit abrasives. Terreon and TerreonRE are certified by Home Innovation Lab to meet CSA B45.5/IAPMO Z124. Terreon and TerreonRE are GREENGUARD® certified as low-emitting materials.

Access Panels & Sprayhead Body

Access panels are composed of high impact polymer. Sprayhead bodies are injection molded poly-blend. Highly resistant to impact, abrasion and corrosion, the parts will not dent, chip, peel or flake.

Support Frame

Bowl assembly and panel are secured to a heavy gauge stainless steel support frame mounted to the wall. Standard frame (floor unit) includes scuff base.

Vandal Resistance

The molded sprayhead is an integral part of the bowl module. Its concealed vandal resistant streamformers discourage abuse. The infrared sensor will automatically shut off water flow after 30–45 seconds if a vandal attempts to trigger constant operation by covering the sensor or by placing a stationary object in the sensor's detection area. Push buttons are secured to the unit from inside the sprayhead. Air valves, water supplies, control boxes, and waste are concealed within the pedestal/support frame assembly.



Code Compliance and Certifications

ANSI Standards

Terreon and TerreonRE are certified by Home Innovation Lab to meet CSA B45.5/IAPMO Z124.

cUPC Approval

Express Lavatory Systems are Uniform Plumbing Code (UPC), International Plumbing Code (IPC) and National Plumbing Code of Canada (NPC) approved through the International Association of Plumbing and Mechanical Officials (IAPMO). Manufactured in compliance with IGC 156, CSA B45 Series (R08) & ASME A112.18.1/CSA B125.1.



This plumbing fixture is designed for hand washing only. It is not intended to dispense water for human consumption through drinking or for preparation of food or beverages.



Standard product selections contained within this document are third party **CERTIFIED** to NSF/ANSI 372 meeting the Lead-Free content requirement. Any product configured with custom options will be **COMPLIANT** with NSF/ANSI 372 meeting the Lead-Free content requirement.

Standard Frame

The standard frame on the Express SS-Series includes a scuff base and is designed to comply with all ADA guidelines on reaches, clearances and operation for adult users.

Wall-Hung Frame

The wall-hung frame on the Express® SS-Series (less scuff base) is designed to mount at different heights (adult and children) to comply with guidelines on reaches, clearances and operation for various codes including, ADA Accessibility Guidelines for Buildings and Facilities (ADAAG) and TAS (Texas Accessibility Standards). Always check your local and state codes.



Verify all rough-in dimensions prior to installation.

Consult local and national codes. Conformity and compliance to local and national codes is the responsibility of the installer.

Page 1 of 6

8/3/2017

This information is subject to change without notice.

Bradley_Sink_Express_SS-3N

© 2017 Bradley
 P.O. Box 309, Menomonee Falls, WI 53052-0309
 800 BRADLEY (800 272 3539) +1 262 251 6000
 bradleycorp.com



SS-3N Express® Lavatory System – SS-Series

Standard Equipment

Bowls

Bowl with three lavatories, pedestal, stainless steel mounting frame (as described above), and the following fittings: P-trap; tailpiece; two flexible stainless steel supply connections; and Navigator® thermostatic mixing valve with stop valves and 120VAC/12VDC plug-in adapter (model SS-3N/IRP, SS-3N/TTPA, SS-3N/TTPB only). Batteries are included in Model SS-3N/BIR3.

Activation Controls

Infrared (Model SS-3N/IRP)

Each of the aerators is controlled by a separate slow-closing solenoid valve. Hands placed within the bowl are detected by an infrared sensor module, which activates a flow of tempered water from one station. Shut-off is automatic after hands are removed from the detection area.

The infrared sensor uses a conical-shaped transmitting beam, having a detection area adapted to, but not exceeding, the bowl perimeter. The detection area projects forward 15° to each side and 15° below horizontal. The adaptive infrared sensor automatically adapts to the bowl after power is turned on.

The infrared sensor is not affected by varying color tones or darkness. Direct sunlight or bright washroom lights will not activate the system. Infrared models also include solenoid valves and a low voltage plug-in adapter as standard equipment:

- Solenoid - 12VDC, 3/8" NPT. Few moving parts, and resistant to most chemicals, minerals and impurities often present in municipal water supplies.
- Low Voltage Plug-In Adapter - UL/CSA listed, 120VAC/12VDC plug-in adapter. Plugs into a standard GFCI protected electrical outlet.

Air (Model SS-3N/AST4)

Each push button pneumatically actuates a non-hold-open, air metering, single temperature valve with field-adjustable timing from 0–45 seconds. Factory preset at 10 seconds. Each push button activates one valve which, in turn, activates one station.

TouchTime (Model SS-3N/TTPA and Model SS-3N/TTPB)

Each low voltage mechanical pushbutton or piezo switch actuates a non-hold-open, slow closing anti-hammer solenoid valve that is timed from an electronic potted assembly. Each push button activates one valve, which, in turn, activates one station. TouchTime controls water flow at each station through the use of solid-state, digital circuitry. Timing is factory set at a 15 second run time, but is field adjustable to pre-set timeout periods and optional auto-flush function. The 24 hours flush function will activate water flow for a period of 60 seconds any time there has been a reactivation within the past 24 hours. Pushbutton requires less than five pounds of pressure.

Battery Infrared (Model SS-3N/BIR3)

Each battery-powered sensor uses a zone-focused infrared transmitting beam, creating a large detection area not exceeding the bowl perimeter. The sensor is not affected by varying skin tones or darkness. When hands enter the detection area, the sensor starts water flow by opening the valve electronically. When hands leave the detection area, the sensor stops the flow of water by closing the electronically activated solenoid valve. The 6-volt DC, electronically-activated solenoid valve has few moving parts, providing reliable operation that is unaffected by most chemicals and minerals often present in municipal water supplies. Each station is powered by a single lithium battery. Battery type is Duracell® DL 223A 6-volt lithium or equivalent (batteries included) with a life expectancy of 4–5 years or approximately 200,000 cycles.

Optional Equipment

Soap Dispenser Type

The Express SS-Series features an optional soap dispenser. Each hi-impact polymer tank is gravity-fed with a vertically mounted chrome plated brass valve. For refilling, the soap tank is easily removed from the sprayhead body by releasing a concealed, tamper-resistant leaf spring, which locks the tank in place. The soap valve will dispense vegetable/coconut oil liquid soaps, synthetic detergents, viscous lotion soaps and antiseptic solutions. Soap tank capacity is 3/4 gallon.

Verify all rough-in dimensions prior to installation.

Consult local and national codes. Conformity and compliance to local and national codes is the responsibility of the installer.

Page 2 of 6

8/3/2017

This information is subject to change without notice.

Bradley_Sink_Express_SS-3N

Protected by one or more of the following U.S. patents: 5,369,818, 5,611,093, D398,969, D447,224, and D511,821 and the following Canadian patent: 2,121,886. Other patents pending.

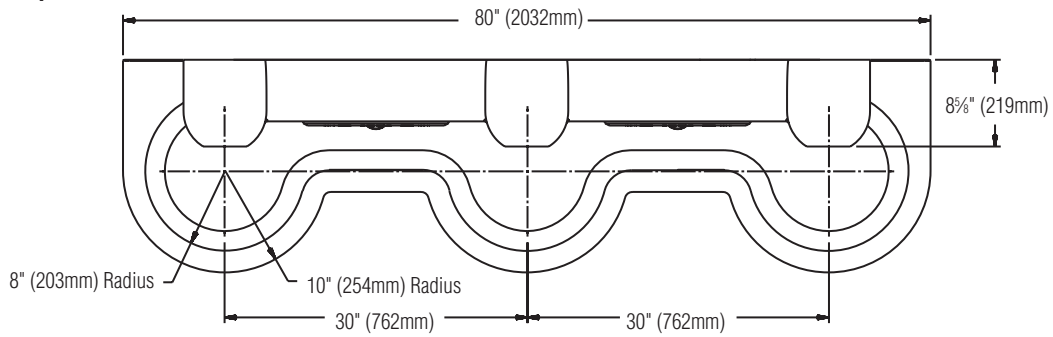
© 2017 Bradley
P.O. Box 309, Menomonee Falls, WI 53052-0309
800 BRADLEY (800 272 3539) +1 262 251 6000
bradleycorp.com



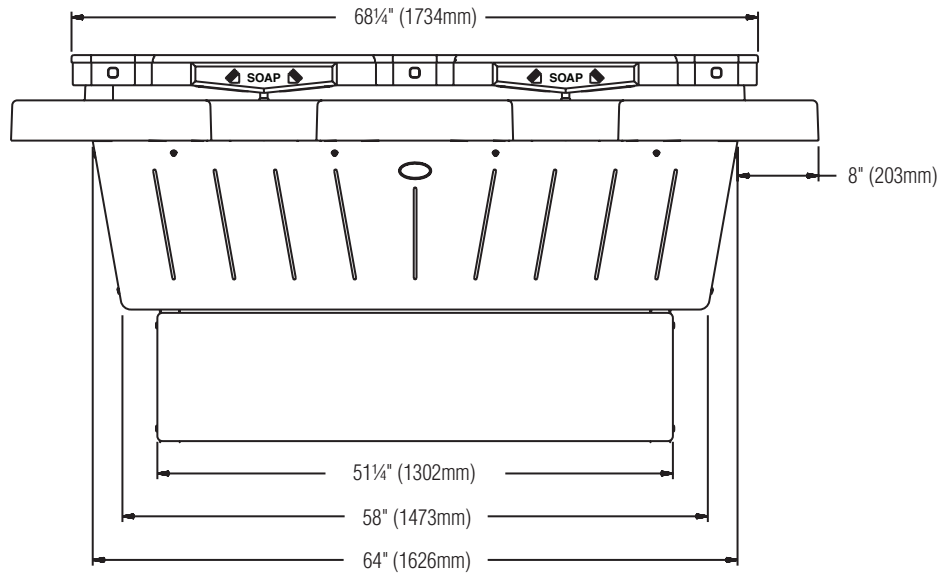
SS-3N Express® Lavatory System – SS-Series

Dimensions - Top and Front Views

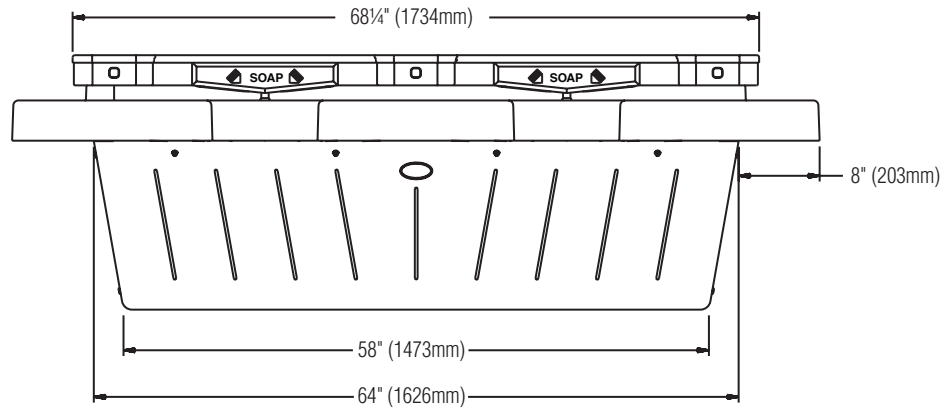
Top View



Front View
Standard Frame



Front View
Wall-Hung Frame



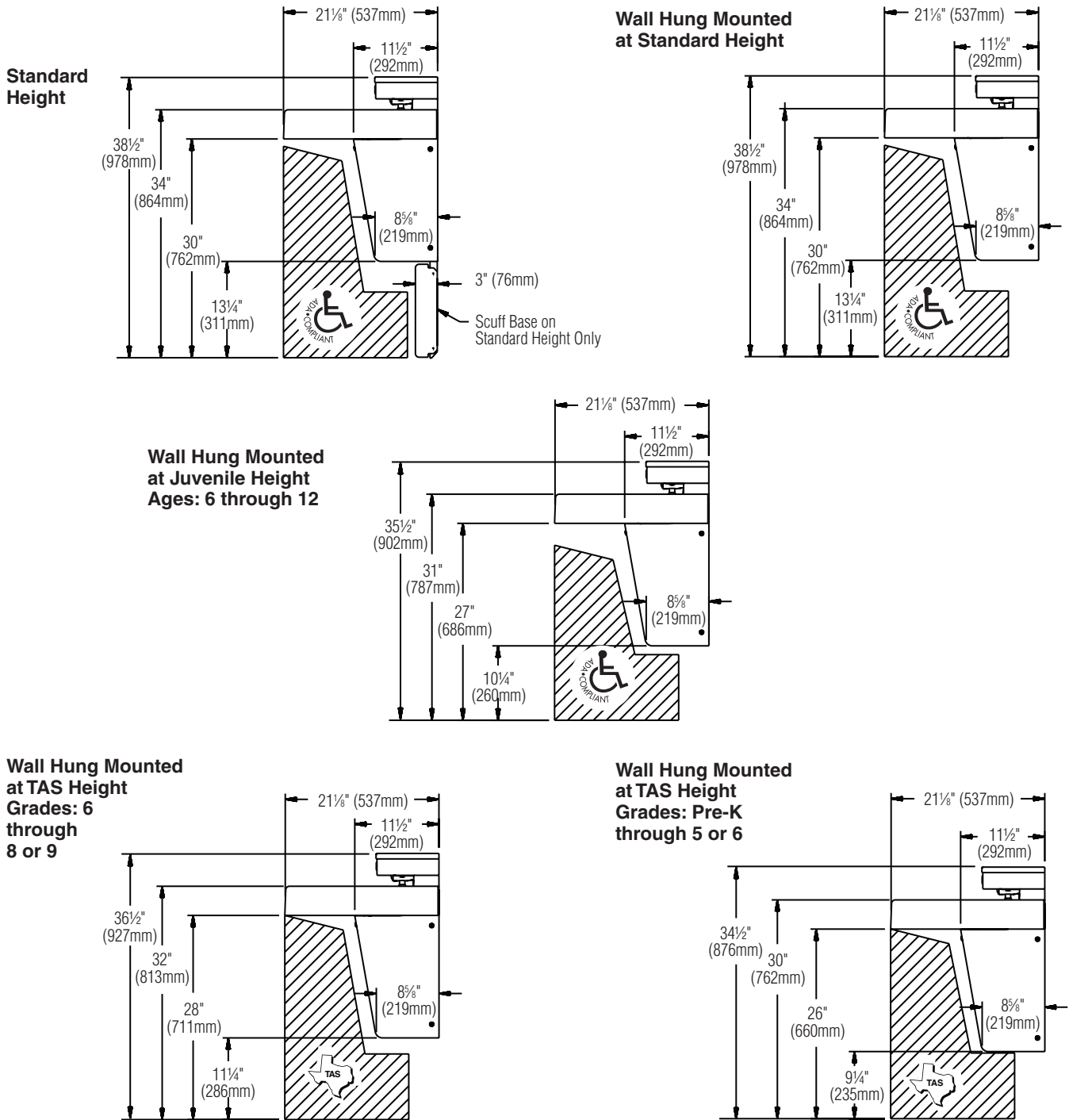
Verify all rough-in dimensions prior to installation.

Consult local and national codes. Conformity and compliance to local and national codes is the responsibility of the installer.



SS-3N Express® Lavatory System – SS-Series

Dimensions - Side Views



Verify all rough-in dimensions prior to installation.

Consult local and national codes. Conformity and compliance to local and national codes is the responsibility of the installer.



Rough-Ins

Mounting for Standard and Wall Hung Heights Are Shown

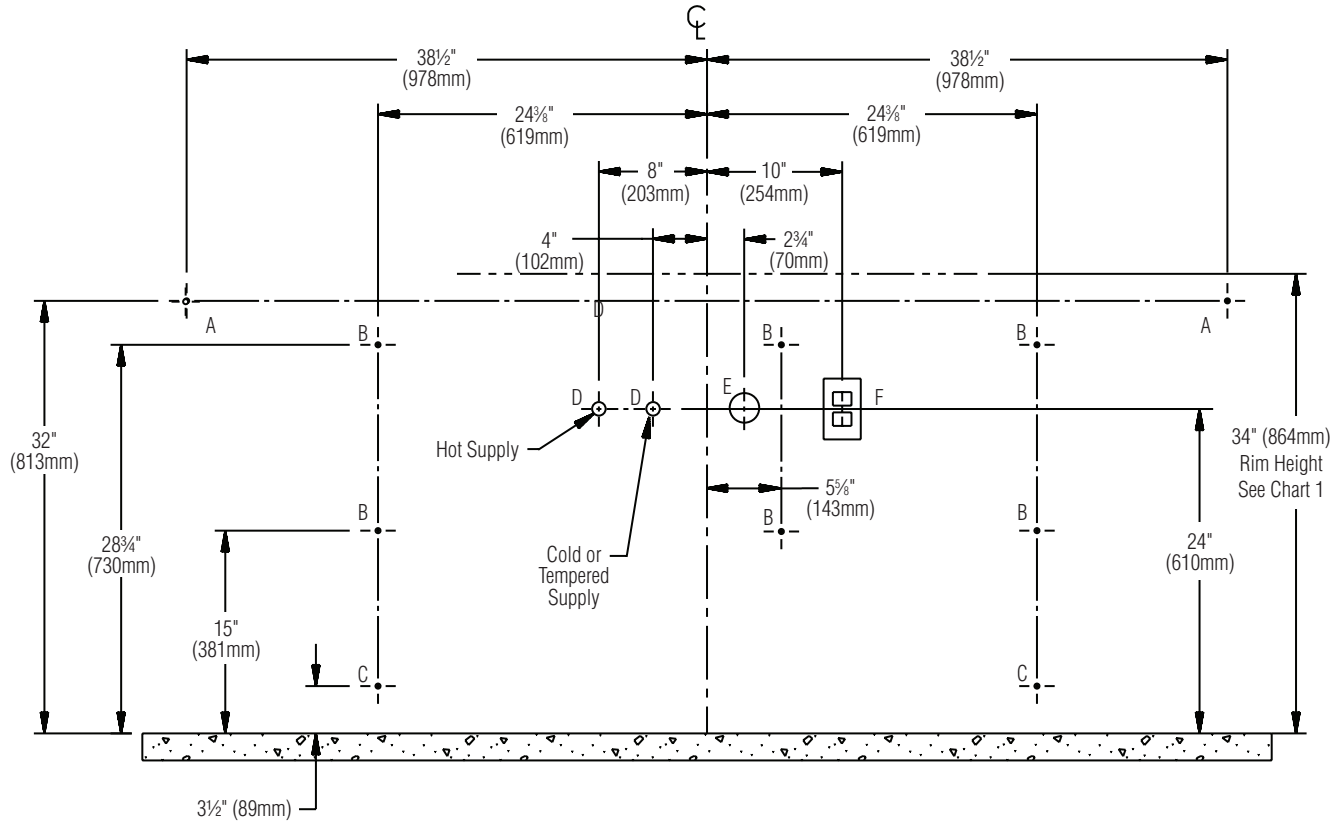


Chart 1

Rim Height	Vertical Height Adjustments Codes A, B, C, D, E, F, G and H	Fixture Style
34"	None	Standard Height
34"	None	Wall Hung
32"	Subtract 2"	TAS, Grades 6 through 8 or 9
31"	Subtract 3"	Juvenile Height
30"	Subtract 4"	TAS, Pre-K through Grades 5 or 6

Chart 2

Code	Description	Qty.
A	3/8" Bowl Wall Anchors with a minimum pull out force of 1,000 lbs.	2
B	3/8" Main Frame Wall Anchors with a minimum pull out force of 1,000 lbs.	6
C	3/8" Base Frame Wall Anchors with a minimum pull out force of 1,000 lbs. Standard frame option only	2
D	1/2" Nominal Copper Tubing for Hot/Cold Supplies, Stub-Out 2" from Wall	2
E	1 1/2" NPT Drain, Stub-Out 2" from Wall	1
F	110V GFCI Protected Electrical Outlet. I.R. and TouchTime Only	1

Verify all rough-in dimensions prior to installation.

Consult local and national codes. Conformity and compliance to local and national codes is the responsibility of the installer.

Page 5 of 6 8/3/2017

This information is subject to change without notice.

Bradley_Sink_Express_SS-3N

© 2017 Bradley
P.O. Box 309, Menomonee Falls, WI 53052-0309
800 BRADLEY (800 272 3539) +1 262 251 6000
bradleycorp.com



SS-3N Express® Lavatory System – SS-Series

Standard Selections (Must select one from each category)

Activation Type

- IRP** Infrared
- AST4** Air Pushbutton
- TTPA** TouchTime Pushbutton
- TTPB** TouchTime Piezo Switch
- BIR3** Battery Infrared

Pedestal Type (select one)

- STD** Standard Frame (Includes Scuff Base)
- WH** Wall-Hung Frame

Soap Dispenser Type (select one)

- LSD-3** Two Integral Liquid Soap Dispensers (SS-3N)
- NSD** No Soap Dispenser

Water Supply Type (select one)

- TMA** Navigator® Thermostatic Mixing Assembly (Hot and Cold Supplies)
- TL** Single Tempered Line

Color of Terreon Bowl/Sprayhead Cover (select one)

Standard Colors

- | | |
|---|--|
| <input type="checkbox"/> ALP-WHT Alpine White | <input type="checkbox"/> LONDON London Gray |
| <input type="checkbox"/> AVALANCHE Avalanche † | <input type="checkbox"/> MOONSTONE Moonstone † |
| <input type="checkbox"/> BONE Mesa Bone | <input type="checkbox"/> O-TAUPE Organic Taupe |
| <input type="checkbox"/> CHAR Charcoal Gray | <input type="checkbox"/> PEBBLE Pebble Beach |
| <input type="checkbox"/> COBBLE Cobblestone | <input type="checkbox"/> PEP-WHT Peppered White |
| <input type="checkbox"/> DRIFT Driftwood † | <input type="checkbox"/> POLAR Polar Ice † |
| <input type="checkbox"/> DS-WHT Designer White | <input type="checkbox"/> SAND Sandtrap |
| <input type="checkbox"/> DUNE Sand Dune † | <input type="checkbox"/> S-CREEK Stone Creek |
| <input type="checkbox"/> E-GRAY Empire Gray | <input type="checkbox"/> S-MIST Silver Mist |
| <input type="checkbox"/> GLACIER Glacier | <input type="checkbox"/> WHT-SAND White Sand |
| <input type="checkbox"/> GRAPH Graphite | |
| <input type="checkbox"/> LANNON Lannonstone | |

Designer Colors* (available at an additional charge)

- | | |
|--|--|
| <input type="checkbox"/> ARC-CHIP Arctic Chip | <input type="checkbox"/> COFFEE Coffee Bean |
| <input type="checkbox"/> RIVER Riverstone | |

TerreonRE Colors* (available at an additional charge)

- | | |
|---|---|
| <input type="checkbox"/> BIRCH-BARK Birch Bark | <input type="checkbox"/> MOONDUST Moondust |
| <input type="checkbox"/> DUSK Dusk | <input type="checkbox"/> OAT Oat |

Access Panel/Sprayhead Color (select one)

- COAL** Coal

Optional Selections

Waste Assembly Type

- S-CHROME** Single Chrome-Plated P-Trap
- S-POLY** Single Polypropylene P-Trap

*Non-cancelable, non-returnable

† This color contains large, randomly distributed chips.

Verify all rough-in dimensions prior to installation.

Consult local and national codes. Conformity and compliance to local and national codes is the responsibility of the installer.

Page 6 of 6

8/3/2017

This information is subject to change without notice.

Bradley_Sink_Express_SS-3N

© 2017 Bradley
P.O. Box 309, Menomonee Falls, WI 53052-0309
800 BRADLEY (800 272 3539) +1 262 251 6000
bradleycorp.com