



FL-2H, FL-2L Frequency® Lavatory System – FL-Series

- ADA & TAS compliant (lower or "concave" stations only)
- Patented molded one-piece design with integral bowls
- Constructed of Terreon® or Terreon®RE solid surface material
- Access panel and transition cover enclosure
- Includes capacitive sensing faucet
- Optional soap dispenser and plug-in adapter

Specifications

With its patented design, the multi-height Frequency Lavatory System comfortably provides hand-washing access for adults, children, and those with disabilities. The "convex" or higher station provides a more ergonomically correct position for able-bodied users while the "concave" or lower stations can be mounted to meet ADA or TAS guidelines. Accommodating one to two users at a time, the FL-Series features a solid surface countertop with a one-of-a-kind integral bowl. The unique bowl, with integral solid surface overflow allows for greater knee clearance than other barrier free fixtures. The Frequency Lav System includes a "no-drip" edge and comes equipped with centershank battery-operated, capacitive sensing faucets. Faucet includes an anti-rotation 4" trim plate. Optional deck-mounted soap dispensers and plug-in adapters are available.

Product Compliance

Listed by IAPMO R&T to

- Uniform Plumbing Code (UPC)
- National Plumbing Code of Canada
- International Plumbing Code (IPC)
- IGC 156 and the requirements of CSA B45.5/ IAPMO Z124 and ASME A112.18.1/CSA B125.1



Listed by UL Environment to

- GreenGuard Gold



Complies with

- ADA
- ICC/ANSI 117.1
- TAS
- NSF/ANSI 372



Serves the American Disabilities Act and ICC/ANSI 117.1 guidelines, citations 306, 308, 309.4, 606.4, 606.5 when installed according to these requirements. Consult local codes and standards.

This plumbing fixture is designed for hand washing only. It is not intended to dispense water for human consumption through drinking or for preparation of food or beverages.

Verify all rough-in dimensions prior to installation.

Consult local and national codes. Conformity and compliance to local and national codes is the responsibility of the installer.

Page 1 of 7

1/20/2021

[View Latest Version](#)

This information is subject to change without notice.

Bradley_Sink_Frequency_FL-2L_2H



Standard Height Mounting

The concave or lower hand washing stations are designed to be mounted at various heights to comply with all ADA guidelines on reaches and clearances. To comply with ADA, the rim height at the outside edge of the lower or concave station must be 34" max. above the finished floor. To be completely ADA compliant, the Frequency Lav System must be equipped with ADA-compliant faucets and access panel.

The convex hand washing stations do not meet ADA Accessibility Guidelines. Always check local codes for compliance.

Juvenile Height Mounting

The concave hand washing stations are designed to be mounted at various heights to comply with all ADA and TAS guidelines on reaches and clearances. To comply with ADA for children, the rim height at the outside edge of the concave station must not exceed 31". Source: ADA Accessibility Guidelines for Buildings and Facilities (ADAAG) as amended through September 2002.

To comply with Texas Accessibility Standards for children, the concave (lower) hand washing stations must be mounted so the rim height at the outside edge does not exceed 30" or 32" based on age or grade level. For more information, contact the Texas Department of Licensing and Regulation.

Construction

Counter Top/Bowl

Constructed of Terreon, a densified solid surface material composed of a bio-based resin, or TerreonRE, a densified solid surface material composed of a bio-based resin and preconsumer recycled granules. Terreon and TerreonRE are resistant to chemicals, stains, burns, and impact. Surface damage can be easily repaired with everyday cleansers or fine grit abrasives. Terreon and TerreonRE are GREENGUARD® certified as low-emitting materials.

Access Panel

The access panel and transition cover of the Frequency Lav System not only conceals plumbing and electrical connections, but also reduces time needed for installation and maintenance. Access panel and transition cover are made from high impact polymer.

Mounting

The FL-Series includes heavy gauge stainless steel mounting brackets, eliminating the need for additional specifications and/or casework beneath the countertop. All Frequency Lavatory Systems meet or exceed industry standards for load testing.

© 2021 Bradley

P.O. Box 309, Menomonee Falls, WI 53052-0309
800 BRADLEY (800 272 3539) +1 262 251 6000
bradleycorp.com



FL-2H, FL-2L Frequency® Lavatory System – FL-Series

Standard Equipment

Models FL-2H & FL-2L

Multi-level deck with two lavatories, heavy gauge, stainless steel mounting brackets and two battery-operated faucets described below. Access panel and transition covers to enclose the following fittings: offset drain; P-trap; continuous waste with end outlet; flexible stainless steel supply connections; and ASSE 1070 Navigator® thermostatic mixing valve with stop valves.

Activation Controls

Capacitive Sensing Technology

The Aerada 1200 Series CS faucet creates an omnidirectional detection zone utilizing capacitive sensing technology. The capacitive sensing field triggers faucet activation only when a significant change in the capacitive field occurs. Only human presence will create a significant change in the capacitive field. As such, inanimate objects will not trigger faucet activation. The faucet is unaffected by varying skin tones, other infrared presence, and soap scum build-up.

Valve

The electronically activated motor driven valve provides reliable performance since there are few moving parts. The valve includes an in-line filter to trap debris and is unaffected by most chemicals and minerals found in municipal water supplies. Valve features a factory-set maximum water run-on duration of 15 seconds. Valve control module features a manual override control for applications requiring periodic flushing of the water lines. The valve and electronics are enclosed in a water-resistant housing mounted below the fixture.

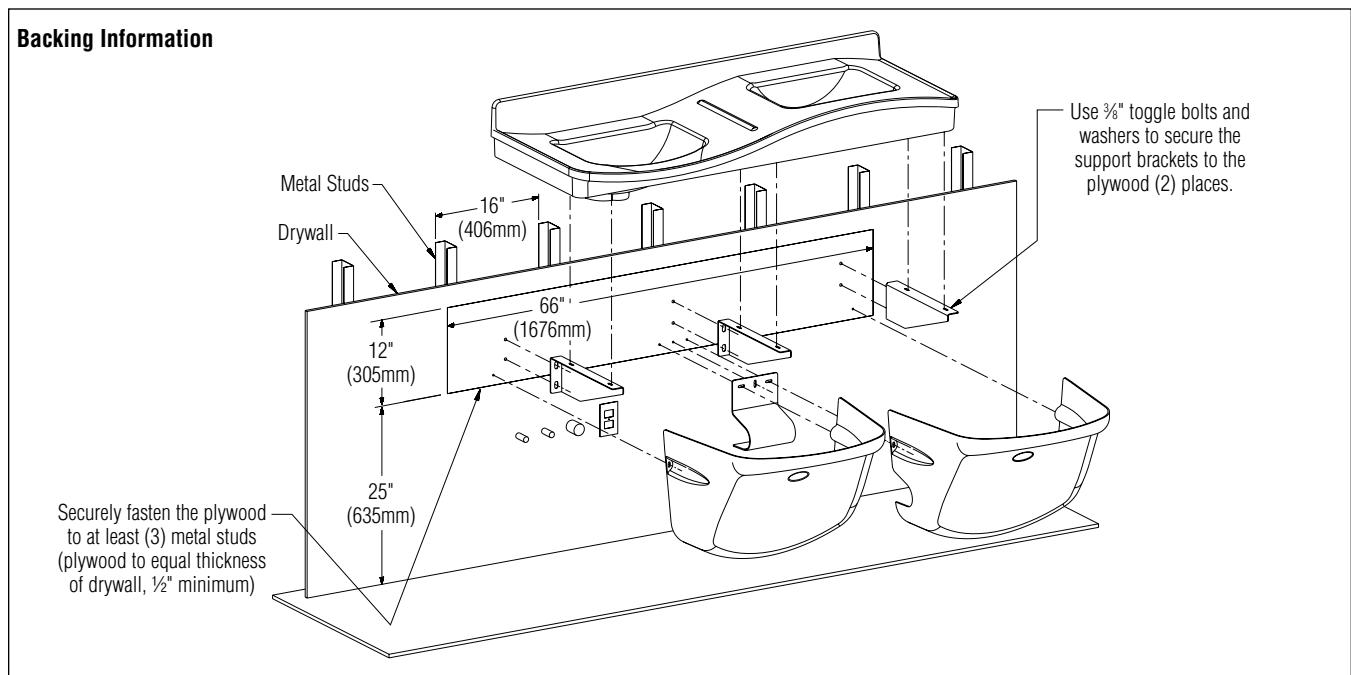
Flow Control/Rate

Operating water pressure range is 20–80 psi. Flow regulator keeps flow rate constant at all pressures. The flow is laminar at a rate of 0.16 gpc (0.61 Lpc).

Optional Equipment

Models FL-2H & FL-2L

Liquid soap dispenser and plug-in adapter (to convert battery operated faucets).



Verify all rough-in dimensions prior to installation.

Consult local and national codes. Conformity and compliance to local and national codes is the responsibility of the installer.

Page 2 of 7

1/20/2021

[View Latest Version](#)

This information is subject to change without notice.

Bradley_Sink_Frequency_FL-2L_2H

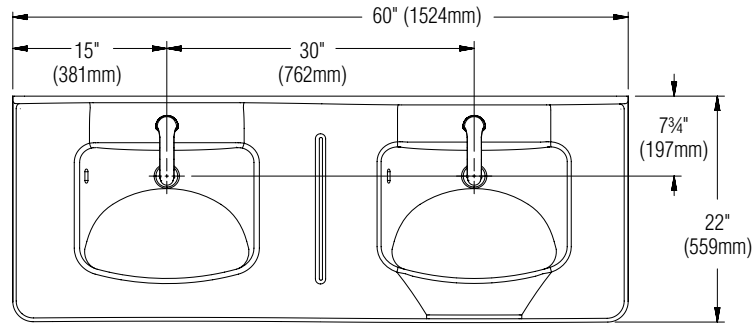
Protected by one or more of the following U.S. patents: D477,060, D507,634, D527,809, D537,927, and 7,039,963. Other patents pending.

© 2021 Bradley
P.O. Box 309, Menomonee Falls, WI 53052-0309
800 BRADLEY (800 272 3539) +1 262 251 6000
bradleycorp.com

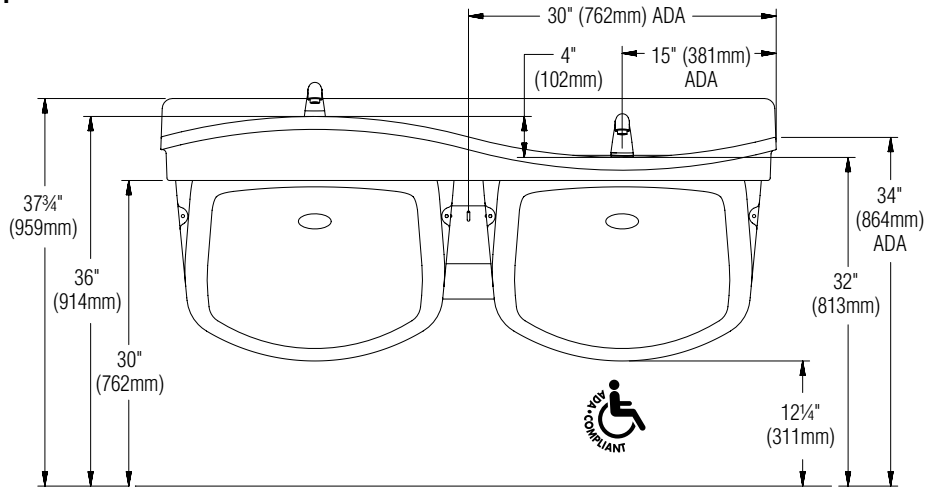


FL-2H, FL-2L Frequency® Lavatory System – FL-Series

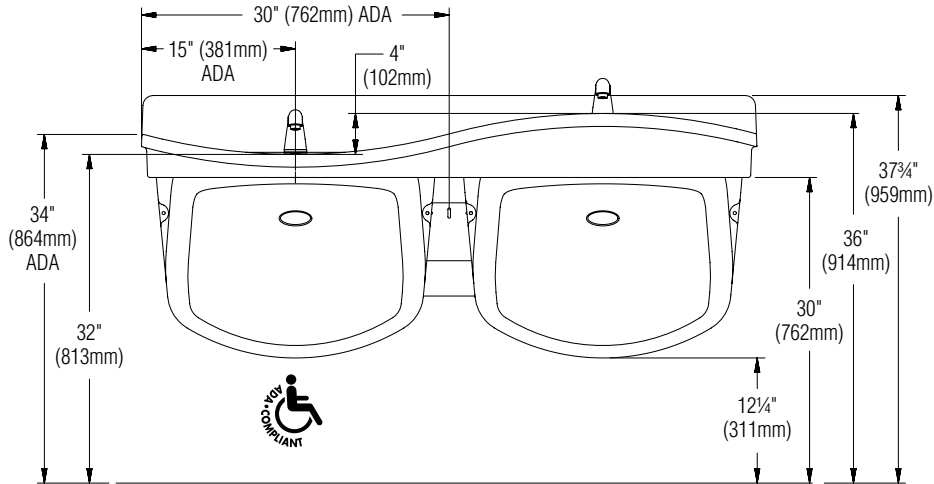
Dimensions – Top and Front Views



FL-2H



FL-2L



Verify all rough-in dimensions prior to installation.

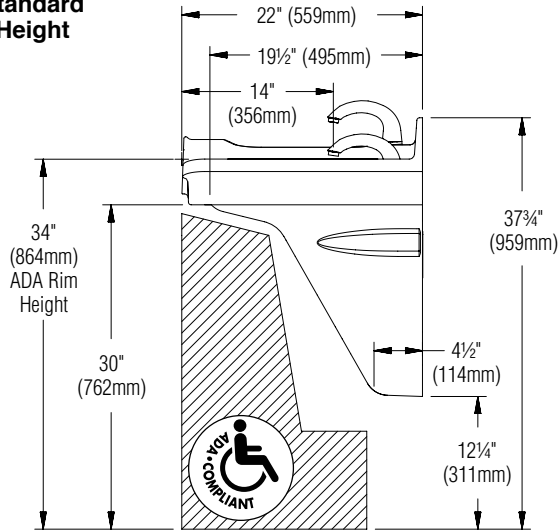
Consult local and national codes. Conformity and compliance to local and national codes is the responsibility of the installer.



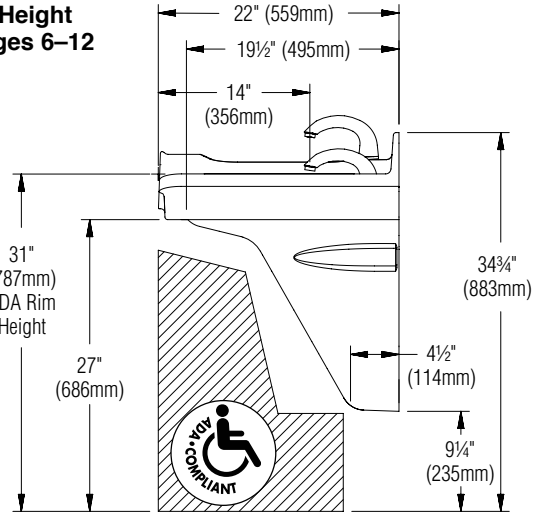
FL-2H, FL-2L Frequency® Lavatory System – FL-Series

Dimensions – Side Views

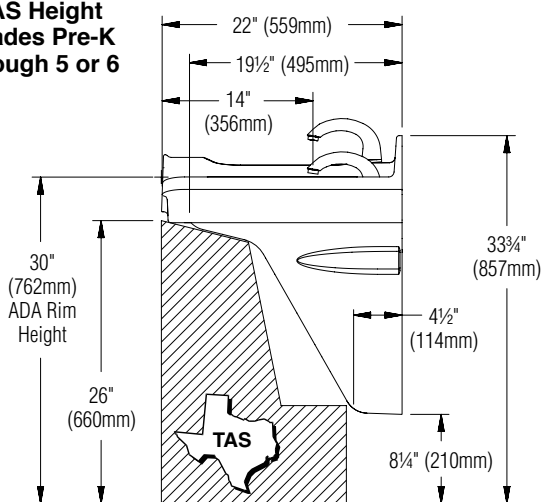
Standard Height



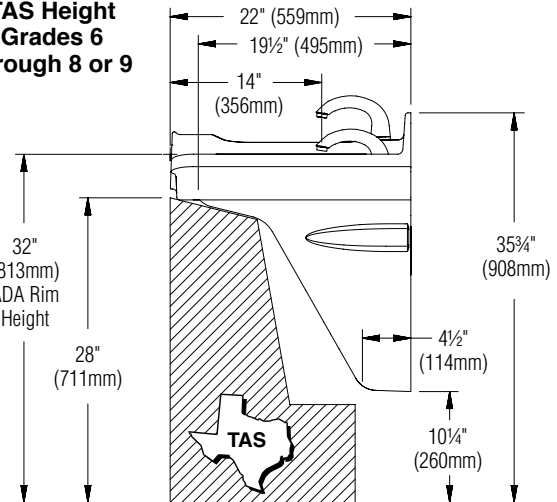
**Juvenile Height
Ages 6–12**



**TAS Height
Grades Pre-K
through 5 or 6**



**TAS Height
Grades 6
through 8 or 9**



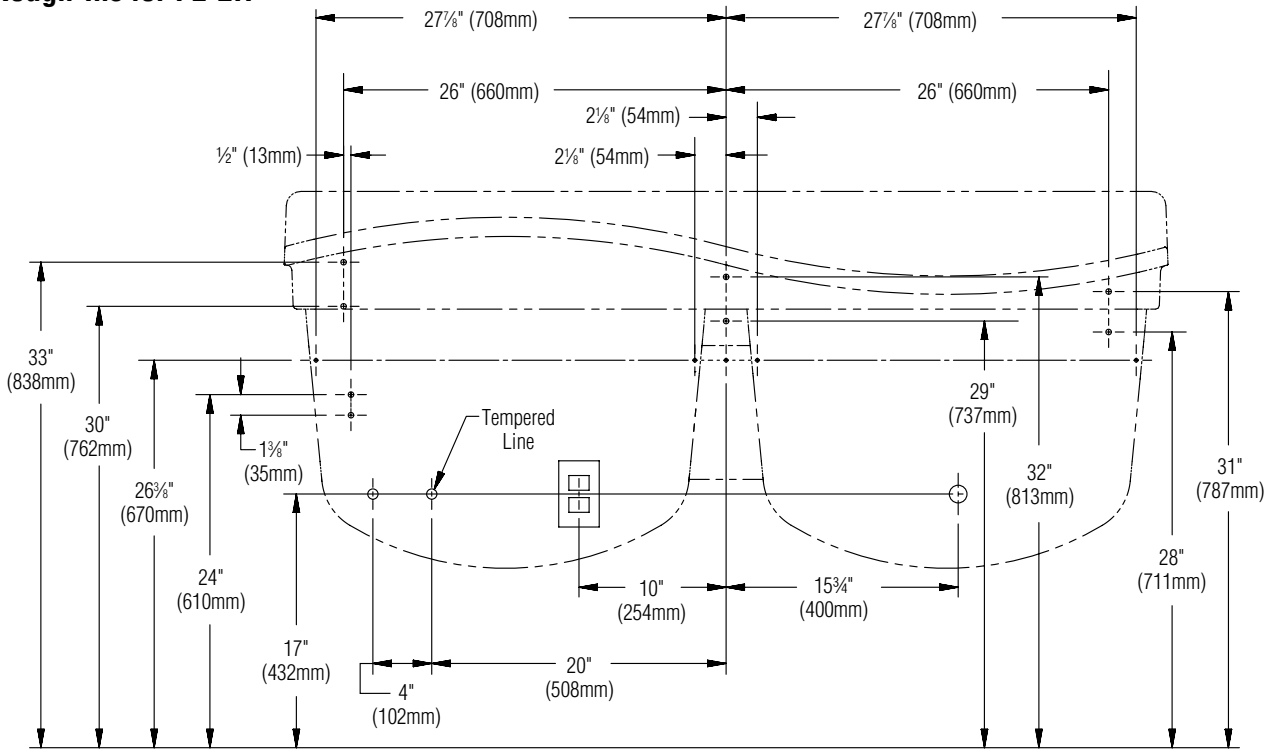
Verify all rough-in dimensions prior to installation.

Consult local and national codes. Conformity and compliance to local and national codes is the responsibility of the installer.



FL-2H, FL-2L Frequency® Lavatory System – FL-Series

Rough-Ins for FL-2H



Code	Description	Qty.
A	3/8" Lav Deck Anchors with a Minimum Pull-Out Force of 1,000 lb	6
B	#10 Wall Anchors/Fasteners for Mounting Trap/Transition Covers	5
H, C	1/2" Nominal Copper Tubing Hot/Cold Supplies, Stub-Out 2" From Wall	1
D	#10 Wall Anchors/Fasteners for Valve Mounting	2
E	110v GFI Protected Electrical Outlet	1
W	1 1/2" NPT Drain, stub out 2" from wall (for combined drain) NOTE: For individual drains, refer to page 9.	1

Rim Height	Vertical Height Adjustments for codes A–E, H, C and W	Fixture Style
34"	0	Standard Height
32"	Subtract 2"	TAS, Grades 6 through 8 or 9
31"	Subtract 3"	TAS, Pre-K through Grades 5 or 6
30"	Subtract 4"	Juvenile Height

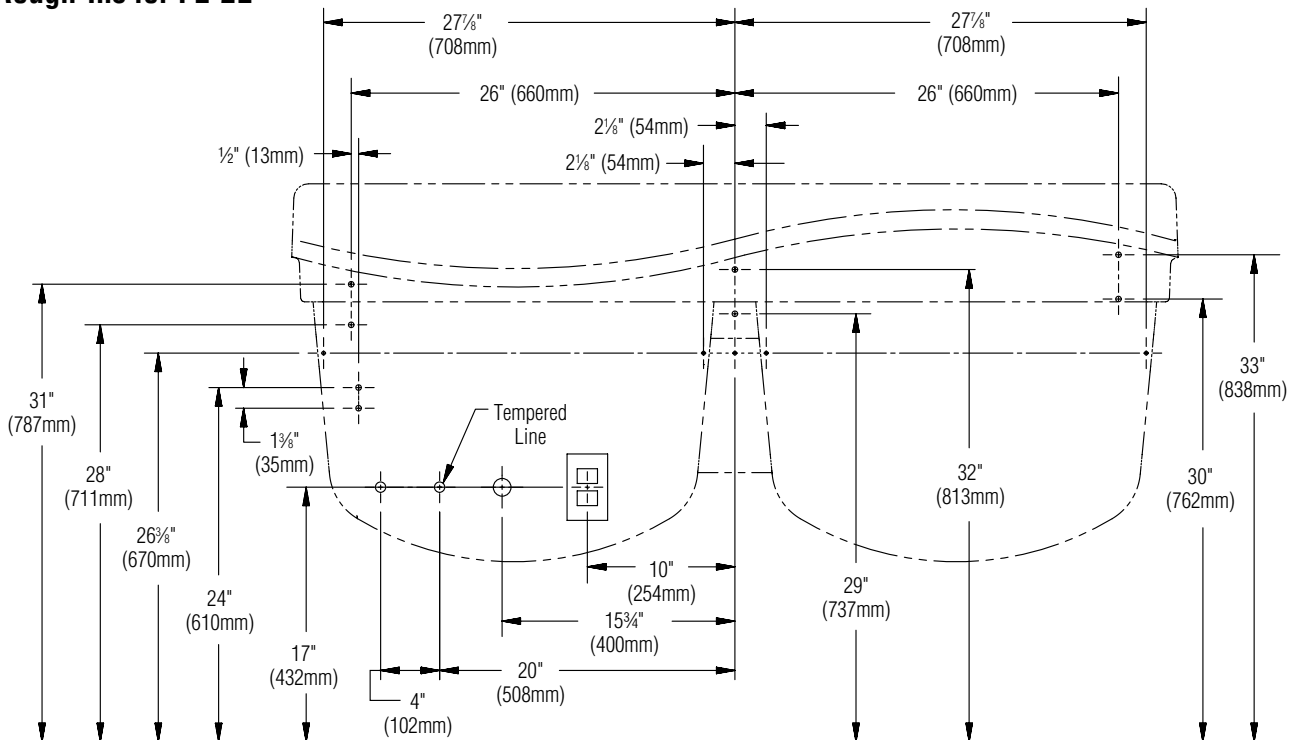
Verify all rough-in dimensions prior to installation.

Consult local and national codes. Conformity and compliance to local and national codes is the responsibility of the installer.



FL-2H, FL-2L Frequency® Lavatory System – FL-Series

Rough-Ins for FL-2L



Code	Description	Qty.
A	3/8" Lav Deck Anchors with a Minimum Pull-Out Force of 1,000 lb	6
B	#10 Wall Anchors/Fasteners for Mounting Trap/Transition Covers	5
H, C	1/2" Nominal Copper Tubing Hot/Cold Supplies, Stub-Out 2" From Wall	1
D	#10 Wall Anchors/Fasteners for Valve Mounting	2
E	110v GFI Protected Electrical Outlet	1
W	1 1/2" NPT Drain, stub out 2" from wall (for combined drain) NOTE: For individual drains, refer to page 9.	1

Rim Height	Vertical Height Adjustments for codes A–E, H, C and W	Fixture Style
34"	0	Standard Height
32"	Subtract 2"	TAS, Grades 6 through 8 or 9
31"	Subtract 3"	TAS, Pre-K through Grades 5 or 6
30"	Subtract 4"	Juvenile Height

Verify all rough-in dimensions prior to installation.

Consult local and national codes. Conformity and compliance to local and national codes is the responsibility of the installer.



FL-2H, FL-2L Frequency® Lavatory System – FL-Series

Model	Description		
FL-2H	Frequency Lavatory System, Double Station (high on left)		
FL-2L	Frequency Lavatory System, Double Station (low on left)		
Standard Selections (Must select one from each category)			
Faucet Type (select one):			
S53-315	1200 Series CS Faucet, Centershank		
S53-315/4"	1200 Series CS Faucet, 4" Centerset with Trimplate		
4"SET	4" Centerset (1-1/4" Drillings Only)		
SHANK	Centershank (1-1/4" Drilling Only)		
NFD	No Faucet Drilling		
Soap Dispenser Type (select one):			
6334	16 oz. Plastic Globe, 3-1/2" Spout**		
6324-68	32 oz. Plastic Globe, 4" Spout**		
SDO	Soap Drilling Only		
NSD	No Soap Dispenser		
Water Supply Type (select one):			
TMA	Navigator Thermostatic Mixing Assembly (Hot & Cold Supplies - includes stops and supply hoses)		
TL	Single Tempered Line (includes stops and supply hoses)		
NONE	Supply hoses and shut-offs by others		
Color of Terreon Bowl/Deck (select one):			
<i>Standard Colors</i>			
ALP-WHT	Alpine White	LONDON	London Gray
AVALANCHE	Avalanche†	MOONSTONE	Moonstone†
BONE	Mesa Bone	O-TAUPE	Organic Taupe
CHAR	Charcoal Gray	PEBBLE	Pebble Beach
COBBLE	Cobblestone	PEP-WHT	Peppered White
DRIFT	Driftwood†	POLAR	Polar Ice†
DS-WHT	Designer White	SAND	Sandtrap
DUNE	Sand Dune†	S-CREEK	Stone Creek
E-GRAY	Empire Gray	S-MIST	Silver Mist
GLACIER	Glacier	WHT-SAND	White Sand
GRAPH	Graphite		
LANNON	Lannonstone		
<i>Designer Colors* (available at an additional charge)</i>			
ARC-CHIP	Arctic Chip	COFFEE	Coffee Bean
RIVER	Riverstone		
<i>TerreonRE Colors* (available at an additional charge)</i>			
BIRCH-BARK	Birch Bark	MOONDUST	Moondust
DUSK	Dusk	OAT	Oat
<i>Element Colors</i>			
SS-GRAY	Soapstone Gray	CA-TAN	Canyon Tan
Access Panel Type (select one)			
COAL	Coal	STEEL	Stainless Steel
Waste Assembly Type (select one)			
CW-POLY	Polypropylene Combined Waste Assembly (1 P-trap/1 drain connection)		
CW-CHROME	Chrome-Plated Combined Waste Assembly (1 P-trap/1 drain connection)		
IW-CHROME	Polypropylene (1 P-trap per station)		
IW-CHROME	Chrome-Plated (1 P-trap per station)		

Optional Selections

Faucet Adapter Type (select one):

PT Plug-in adapter to convert battery-operated S53-315 faucet

*Non-cancelable, non-returnable

** Soap dispenser is located to the right of the faucet.

† This color contains large, randomly distributed chips.

Verify all rough-in dimensions prior to installation.

Consult local and national codes. Conformity and compliance to local and national codes is the responsibility of the installer.