



LVLVD1 Verge® Wash Basin – LVL-Series

- Sleek, rimless design minimizes standing water
- Faucet pad allows space for user's personal items
- Single piece molded design eliminates caulk lines and seams
- Strainer design accommodates standard 4" plunger
- Unique overflow cover allows access for overflow cleaning

Specifications

Accommodates one user. The unit handles washroom traffic quickly and economically, while providing the user with personal space.

Construction

Basin

Evero® Geo Series is a natural quartz surface made from a blend of bio-based resin, natural quartz, granite and other exotic minerals. It is made of 25% recycled content.

Evero Pearl Series is a natural quartz surface made with bio-based resin, sea shells, recycled glass and natural quartz. It is made of 70% recycled content.

- Variations in the natural stone color, pattern, size, shape and shade are inherent. Due to these unique characteristics, please expect subtle shade variations when units are installed adjacent to each other.

Access Panel

Minimalistic panel is composed of decorative 300 series stainless steel. Water supplies, valves, waste assembly and other optional items are concealed within the panel/frame.

Support Frame

Basin assembly and access panel are secured to a heavy gauge stainless steel support frame mounted to wall.

Faucet Options

Choose from 0.35 GPM IR-DCD, IR-DCG or 0.5 GPM CAP-DCR which have been tested for fit and performance. For more information on these standard faucet and plug-in adapter options, please enter the model number in the search box at bradleycorp.com. 4" centerset and centershank faucet drillings are available for faucets by others. To maximize handwashing space and minimize splashing, faucets by others require length from faucet base centerline to aerator centerline to be 4" to 5.5" and height from faucet base bottom to aerator bottom to be 3" to 6". Spray pattern aerators require a 0.35 GPM flow or less. 0.5 GPM aerators can be laminar or aerated flow.

Product Compliance

Enhanced Reach Compliant

Per 2009 International Building Code (IBC) under 1109.2.3, if there are 6 or more lavatories, at least one lavatory shall meet the 11" maximum reach depth per ICC A117.1 606.5. The L-Series is compliant when used with CAP-DCR, IR-DCD or IR-DCG faucets and 6315 soap. Faucets and soap require a 4" minimum length from faucet base centerline to aerator centerline for compliance.

ANSI Standards

Evero Natural Quartz Surface meets the requirements of CSA B45.5/IAPMO Z124.

cUPC Approval

Verge Wash Basin is Uniform Plumbing Code (UPC), International Plumbing Code (IPC) and National Plumbing Code of Canada approved through the International Association of Plumbing and Mechanical Officials (IAPMO). Manufactured in compliance with IGC 156, CSA B45 Series (R08) & ASME A112.18.1/CSA B125.1.

- This plumbing fixture is designed for hand washing only. It is not Intended to dispense water for human consumption through drinking or for preparation of food or beverages.

- Standard product selections contained within this document are third party **CERTIFIED** to NSF/ANSI 372 meeting the Lead-Free content requirement. Any product configured with custom options will be **COMPLIANT** with NSF/ANSI 372 meeting the Lead-Free content requirement.



Patents Pending

Models (Must select one)

Model	Description
<input type="checkbox"/> LVLVD1	Verge Wash Basin – L-Series, One-Station

Standard Selections (Must select one from each category)

Faucet Type (select one)

<input type="checkbox"/> IR-DCG	Infrared Faucet Battery	<input type="checkbox"/> 4" SET	4" Centerset Drilling (1-1/4" Drillings Only)
<input type="checkbox"/> IR-DCD	Infrared Faucet Battery	<input type="checkbox"/> SHANK	Centershank Drilling (1-1/4" Drillings Only)
<input type="checkbox"/> CAP-DCR	Capacitive Faucet Battery		

Water Supply Type (select one)

<input type="checkbox"/> T	Navigator® Thermostatic Mixing Assembly (Hot and Cold Supplies) w/Stops and Supply Hoses
<input type="checkbox"/> L	Single Tempered Line Assembly (Supply Hoses and Shut-Offs Included)

Soap Dispenser Type (select one)

<input type="checkbox"/> 6324-68	32-oz. Plastic Globe, 4" Spout
<input type="checkbox"/> 6315-KT0000	Battery IR Metering Soap Dispenser Kit (with batteries and 1,000-shot soap)
<input type="checkbox"/> 6334	16 oz. Plastic Globe, 3-1/2" Spout
<input type="checkbox"/> SDO	1-1/4" Soap Drilling Only
<input type="checkbox"/> NSD	No Soap Dispenser/No Drilling

Color of Evero® Basin (select one)

Geo Series

<input type="checkbox"/> ANDORRA	Andorra	<input type="checkbox"/> GLACIER	Glacier Bay	<input type="checkbox"/> RAINIER	Rainier
<input type="checkbox"/> ANTARCTICA	Antarctica	<input type="checkbox"/> KALAHARI	Kalahari	<input type="checkbox"/> SIENA	Sienna
<input type="checkbox"/> ARUBA	Aruba	<input type="checkbox"/> MOJAVE	Mojave	<input type="checkbox"/> SIERRA	Sierra Madre
<input type="checkbox"/> BLACK-SEA	Black Sea	<input type="checkbox"/> MYKONOS	Mykonos	<input type="checkbox"/> YUKON	Yukon
<input type="checkbox"/> DENALI	Denali	<input type="checkbox"/> PATAGONIA	Patagonia		

Pearl Series (available at an additional charge) (Non-cancelable, non-returnable)

<input type="checkbox"/> AKOYA	Akoya	<input type="checkbox"/> BLACK-MOON	Black Moon
--------------------------------	-------	-------------------------------------	------------

Access Panel Type (select one)

<input type="checkbox"/> STAIN	Stainless Steel
--------------------------------	-----------------

Waste Assembly Type:

<input type="checkbox"/> S-POLY	Single Plastic Polypropylene P-Trap
<input type="checkbox"/> S-CHROME	Single Chrome-Plated P-Trap

Optional Selections

Faucet Adapter Type:

<input type="checkbox"/> PT	Plug-in adapter to convert battery operated CAP-DCR, IR-DCD or IR-DCG
-----------------------------	---

Soap Adapter Type:

<input type="checkbox"/> P19-231F	Plug-in adapter - 6315 soap dispenser (must order as a separate line item)
-----------------------------------	--

For more information on Evero Natural Quartz Surface, faucets, valves, transformers, and the soap dispensers, please visit bradleycorp.com.

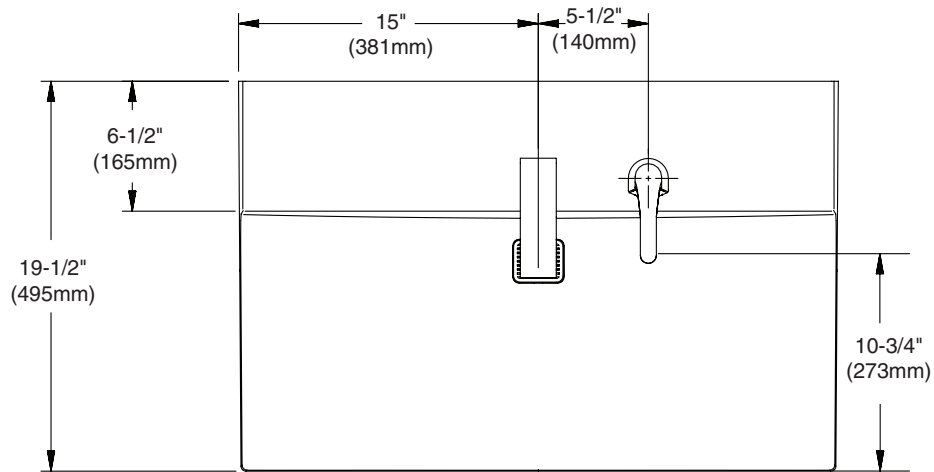




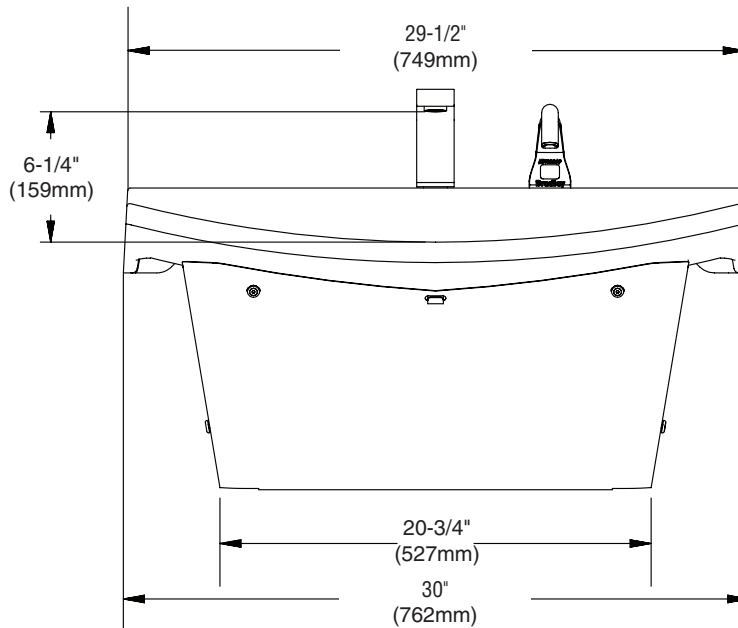
LVL D1 Verge® Wash Basin – LVL-Series

Dimensions for LVL D1 Verge Wash Basin (Shown with CAP-DCR Faucet and 6315 Soap)

Top View



Front View

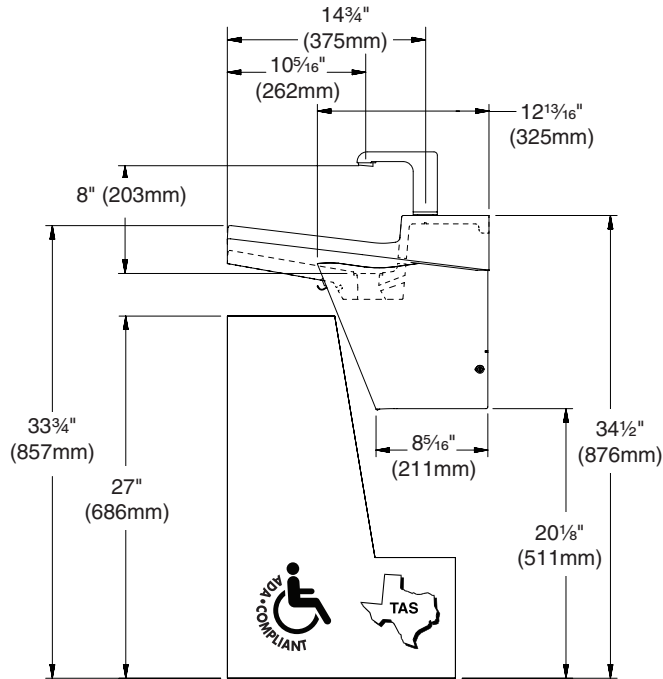




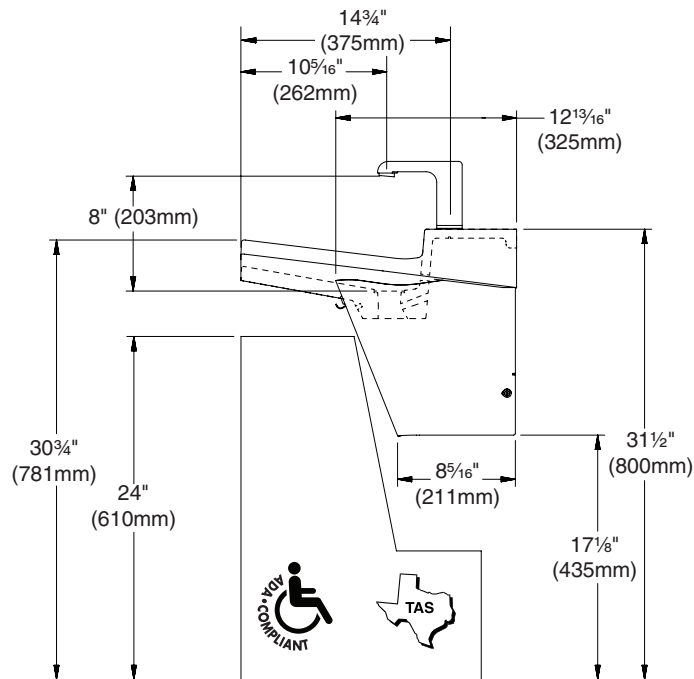
LVLD1 Verge® Wash Basin – LVL-Series

Dimensions for LVLD1 Verge Wash Basin

ADA Standard
and TAS Height



Juvenile and TAS,
Grades 6 thru 12



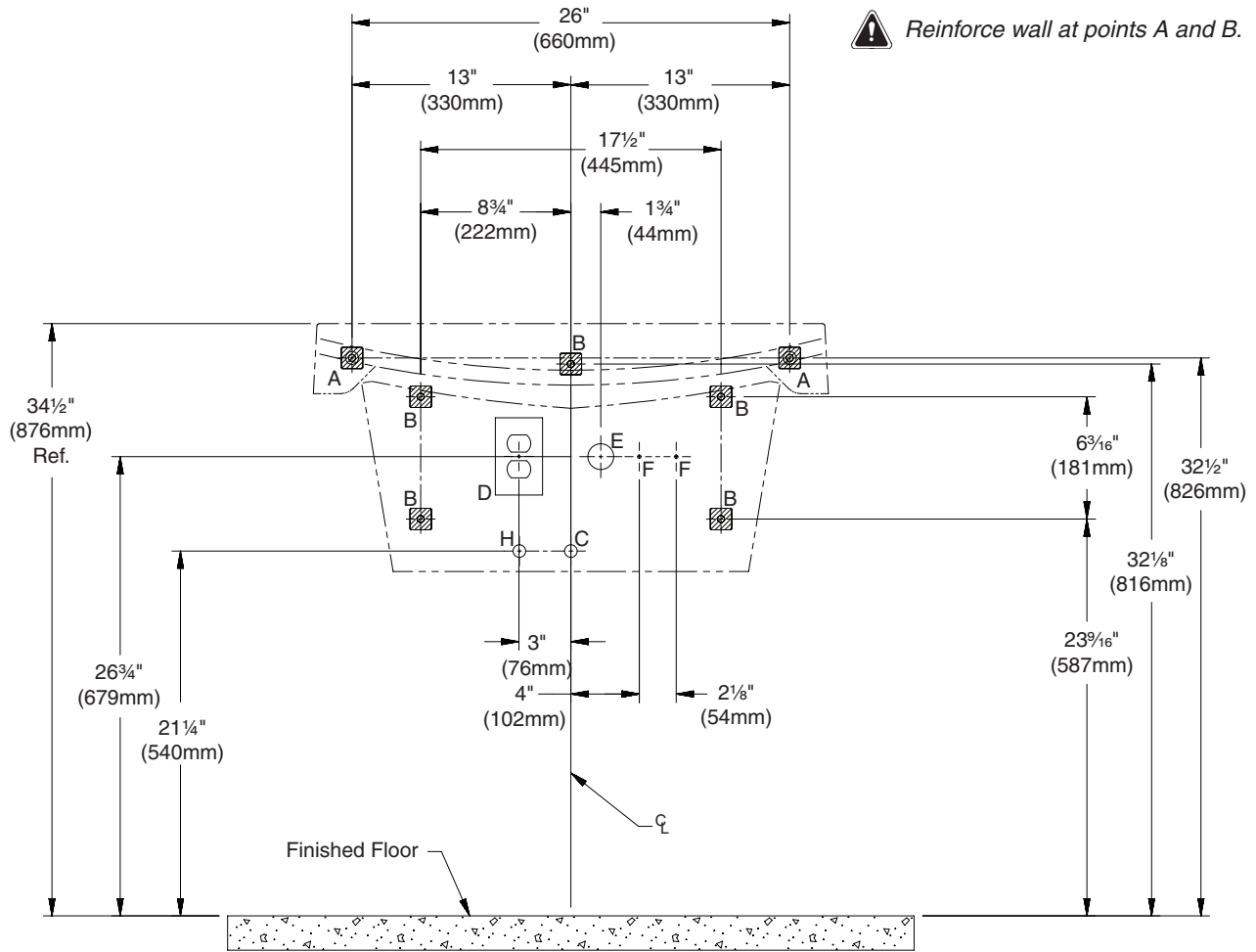


LVLD1 Verge® Wash Basin – LVL-Series

Rough-Ins for LVLD1 Verge Wash Basin

Standard rough-in shown.

Reinforce wall at points A and B.



CODE	DESCRIPTION	QTY.
A	3/8" Bowl Anchors with a Minimum Pull-Out Force of 1,000 lbs. (reinforce walls at anchor points)	2
B	3/8" Frame Anchors with a Minimum Pull-Out Force of 1,000 lbs. (reinforce walls at anchor points)	5
H, C	1/2" Hot/Cold Supplies, Stub-Out 2" From Wall	1
D	110v GFI Protected Electrical Outlet (AC faucet and soap only)	1
E	1 1/2" NPT Drain, Stub-Out 2" from Wall	1
F	#10 Anchors for Valve Bracket Installation	2
RIM HEIGHT	VERTICAL HEIGHT ADJUSTMENTS FOR CODES A-E and H	FIXTURE STYLE
33 3/4"	None	Standard Height, ADA and TAS
30 3/4"	Subtract 3"	ADA Juvenile and TAS, Grades 6 thru 12