



# LVLVD3

## Verge® Wash Basin – LVL-Series

- Sleek, rimless design minimizes standing water
- Faucet pad allows space for user's personal items
- Single piece molded design eliminates caulk lines and seams
- Strainer design accommodates standard 4" plunger
- Unique overflow cover allows access for overflow cleaning

### Specifications

Accommodates one to three users. The units handle washroom traffic quickly and economically, while providing each user with personal space. The Verge® Wash Basin is designed with standard lavatory spacing positioned on 30" centers.

### Construction

#### Basin

Evero® Geo Series is a natural quartz surface made from a blend of bio-based resin, natural quartz, granite and other exotic minerals. It is made of 25% recycled content.

Evero Pearl Series is a natural quartz surface made with bio-based resin, sea shells, recycled glass and natural quartz. It is made of 70% recycled content.

- Variations in the natural stone color, pattern, size, shape and shade are inherent. Due to these unique characteristics, please expect subtle shade variations when units are installed adjacent to each other.

#### Access Panel

Minimalistic panel is composed of decorative 300 series stainless steel. Water supplies, valves, waste assembly and other optional items are concealed within the panel/frame.

#### Support Frame

Basin assembly and access panel are secured to a heavy gauge stainless steel support frame mounted to wall.

#### Faucet Options

Choose from 0.35 GPM IR-DCD, IR-DCG or 0.5 GPM CAP-DCR which have been tested for fit and performance. For more information on these standard faucet options and plug-in adapter, please enter the model number in the search box at [bradleycorp.com](http://bradleycorp.com). 4" centerset and centershank faucet drillings are available for faucets by others. To maximize handwashing space and minimize splashing, faucets by others require length from faucet base centerline to aerator centerline to be 4" to 5.5" and height from faucet base bottom to aerator bottom to be 3" to 6". Spray pattern aerators require a 0.38 GPM flow or less. 0.5 GPM aerators can be laminar or aerated flow.

### Product Compliance

#### Enhanced Reach Compliant

Per 2009 International Building Code (IBC) under 1109.2.3, if there are 6 or more lavatories, at least one lavatory shall meet the 11" maximum reach depth per ICC A117.1 606.5. The L-Series is compliant when used with CAP-DCR, IR-DCD or IR-DCG faucets and 6315 soap. Faucets and soap require a 4" minimum length from faucet base centerline to aerator centerline for compliance.

#### ANSI Standards

Evero Natural Quartz Surface meets the requirements of CSA B45.5/IAPMO Z124.

#### cUPC Approval

Verge Wash Basin is Uniform Plumbing Code (UPC), International Plumbing Code (IPC) and National Plumbing Code of Canada approved through the International Association of Plumbing and Mechanical Officials (IAPMO). Manufactured in compliance with IGC 156, CSA B45 Series (R08) & ASME A112.18.1/CSA B125.1.

- This plumbing fixture is designed for hand washing only. It is not Intended to dispense water for human consumption through drinking or for preparation of food or beverages.
- Standard product selections contained within this document are third party **CERTIFIED** to NSF/ANSI 372 meeting the Lead-Free content requirement. Any product configured with custom options will be **COMPLIANT** with NSF/ANSI 372 meeting the Lead-Free content requirement.



Patents Pending

### Models (Must select one)

- | Model                           | Description                                |
|---------------------------------|--|
| <input type="checkbox"/> LVLVD3 | Verge Wash Basin – L-Series, Three-Station |

### Standard Selections (Must select one from each category)

#### Faucet Type (select one)

- |                                  |                           |                                 |   |
|----------------------------------|---------------------------|---------------------------------|---|
| <input type="checkbox"/> IR-DCG  | Infrared Faucet Battery   | <input type="checkbox"/> 4" SET | 4" Centerset Drilling (1-1/4" Drillings Only) |
| <input type="checkbox"/> IR-DCD  | Infrared Faucet Battery   | <input type="checkbox"/> SHANK  | Centershank Drilling (1-1/4" Drillings Only)  |
| <input type="checkbox"/> CAP-DCR | Capacitive Faucet Battery |                                 |   |

#### Water Supply Type (select one)

- |                            |  |
|----------------------------|--|
| <input type="checkbox"/> T | Navigator® Thermostatic Mixing Assembly (Hot and Cold Supplies) w/Stops and Supply Hoses |
| <input type="checkbox"/> L | Single Tempered Line Assembly (Supply Hoses and Shut-Offs Included)                      |

#### Soap Dispenser Type (select one)

- |                                      |   |
|--------------------------------------|---|
| <input type="checkbox"/> 6324-68     | 32-oz. Plastic Globe, 4" Spout  |
| <input type="checkbox"/> 6315-KT0000 | Battery IR Metering Soap Dispenser Kit (with batteries and 1,000-shot soap) |
| <input type="checkbox"/> 6334        | 16 oz. Plastic Globe, 3-1/2"  |
| <input type="checkbox"/> SDO         | 1-1/4" Soap Drilling Only   |
| <input type="checkbox"/> NSD         | No Soap Dispenser/No Drilling   |

#### Color of Evero® Basin (select one)

##### Geo Series

- |                                     |            |                                    |             |                                  |              |
|-------------------------------------|------------|------------------------------------|-------------|----------------------------------|--------------|
| <input type="checkbox"/> ANDORRA    | Andorra    | <input type="checkbox"/> GLACIER   | Glacier Bay | <input type="checkbox"/> RAINIER | Rainier      |
| <input type="checkbox"/> ANTARCTICA | Antarctica | <input type="checkbox"/> KALAHARI  | Kalahari    | <input type="checkbox"/> SIENA   | Sienna       |
| <input type="checkbox"/> ARUBA      | Aruba      | <input type="checkbox"/> MOJAVE    | Mojave      | <input type="checkbox"/> SIERRA  | Sierra Madre |
| <input type="checkbox"/> BLACK-SEA  | Black Sea  | <input type="checkbox"/> MYKONOS   | Mykonos     | <input type="checkbox"/> YUKON   | Yukon        |
| <input type="checkbox"/> DENALI     | Denali     | <input type="checkbox"/> PATAGONIA | Patagonia   |                                  |              |

##### Pearl Series (available at an additional charge) (Non-cancelable, non-returnable)

- |                                |       |                                     |            |
|--------------------------------|-------|-------------------------------------|------------|
| <input type="checkbox"/> AKOYA | Akoya | <input type="checkbox"/> BLACK-MOON | Black Moon |
|--------------------------------|-------|-------------------------------------|------------|

#### Access Panel Type (select one)

- |                                |                 |
|--------------------------------|-----------------|
| <input type="checkbox"/> STAIN | Stainless Steel |
|--------------------------------|-----------------|

#### Waste Assembly Type:

- |                                   |                                     |
|-----------------------------------|-------------------------------------|
| <input type="checkbox"/> S-POLY   | Single Plastic Polypropylene P-Trap |
| <input type="checkbox"/> S-CHROME | Single Chrome-Plated P-Trap         |

### Optional Selections

#### Faucet Adapter Type:

- |                             |   |
|-----------------------------|---|
| <input type="checkbox"/> PT | Plug-in adapter to convert battery operated CAP-DCR, IR-DCD or IR-DCG |
|-----------------------------|---|

#### Soap Adapter Type:

- |                                   |  |
|-----------------------------------|--|
| <input type="checkbox"/> P19-231F | Plug-in adapter - 6315 soap dispenser (must order as a separate line item) |
|-----------------------------------|--|

For more information on Evero Natural Quartz Surface, faucets, valves, transformers, and the soap dispensers, please visit [bradleycorp.com](http://bradleycorp.com).

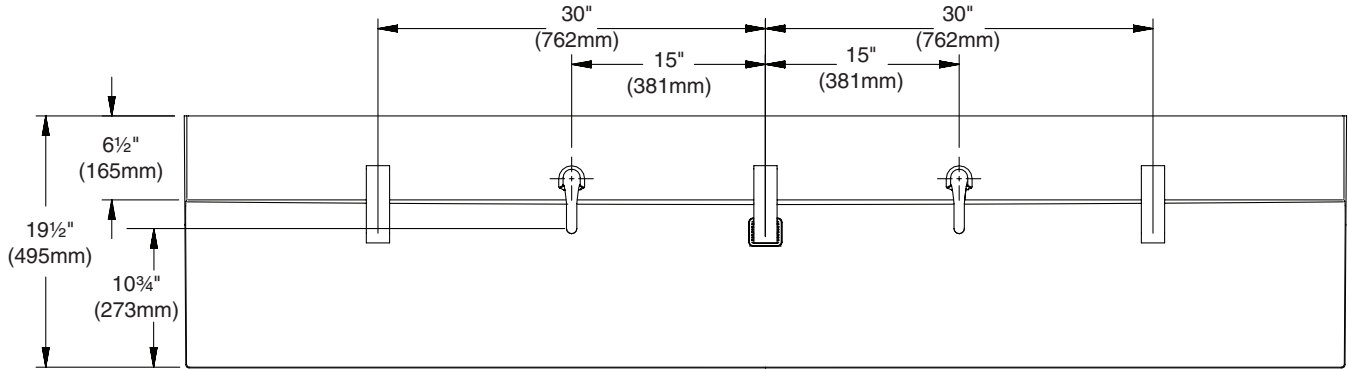




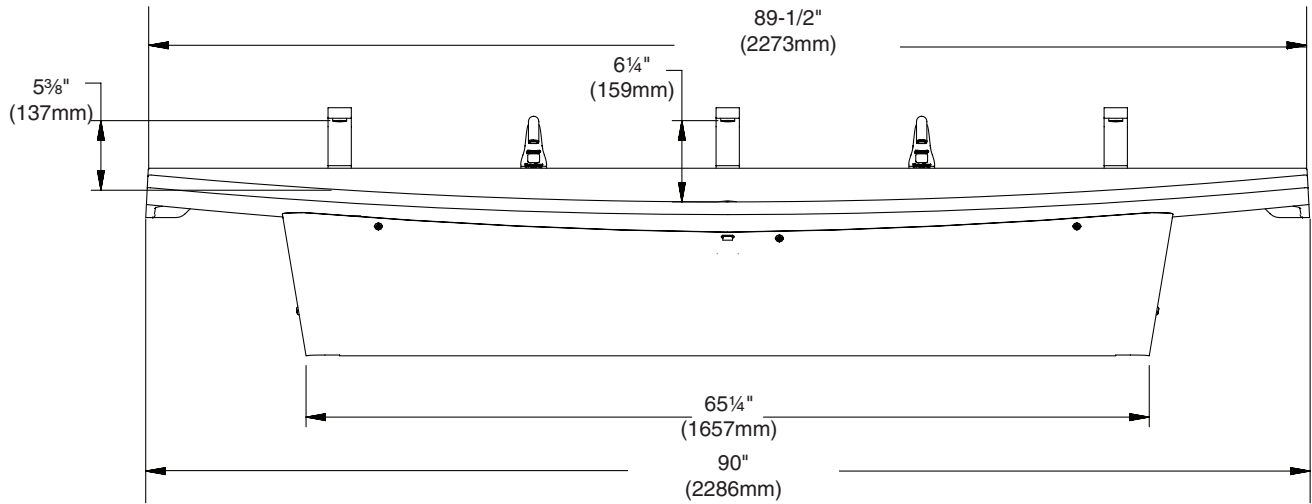
# LVLD3 Verge® Wash Basin – LVL-Series

Dimensions for LVLD3 Verge Wash Basin (Shown with CAP-DCR Faucet and 6315 Soap)

## Top View



## Front View

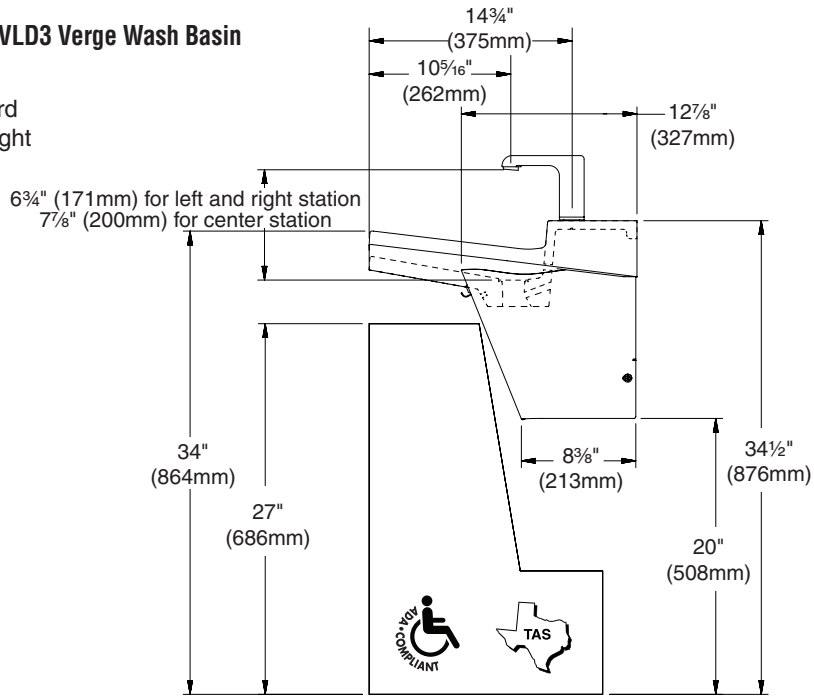




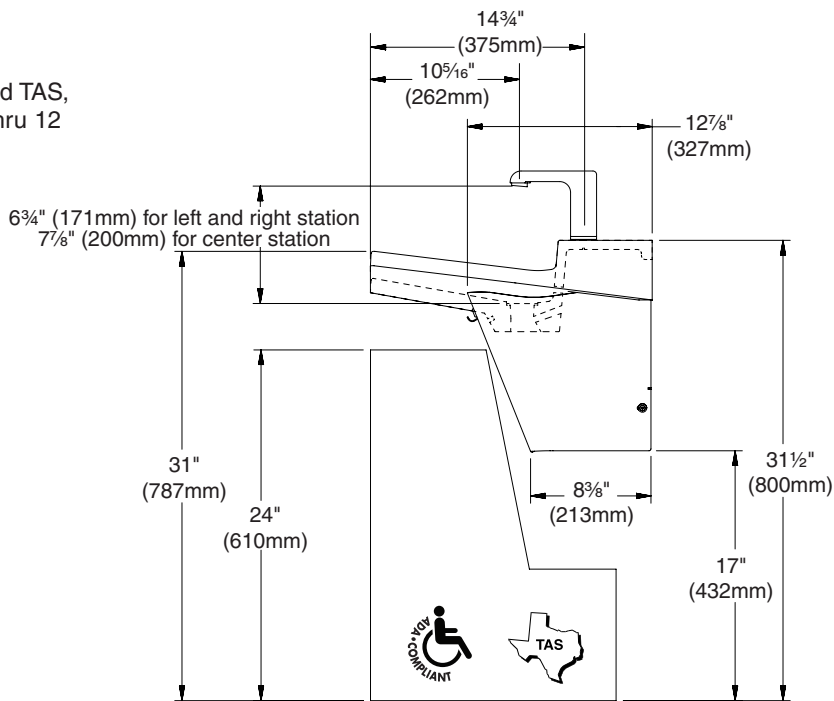
# LVLD3 Verge® Wash Basin – LVL-Series

## Dimensions for LVLD3 Verge Wash Basin

ADA Standard  
and TAS Height



Juvenile and TAS,  
Grades 6 thru 12



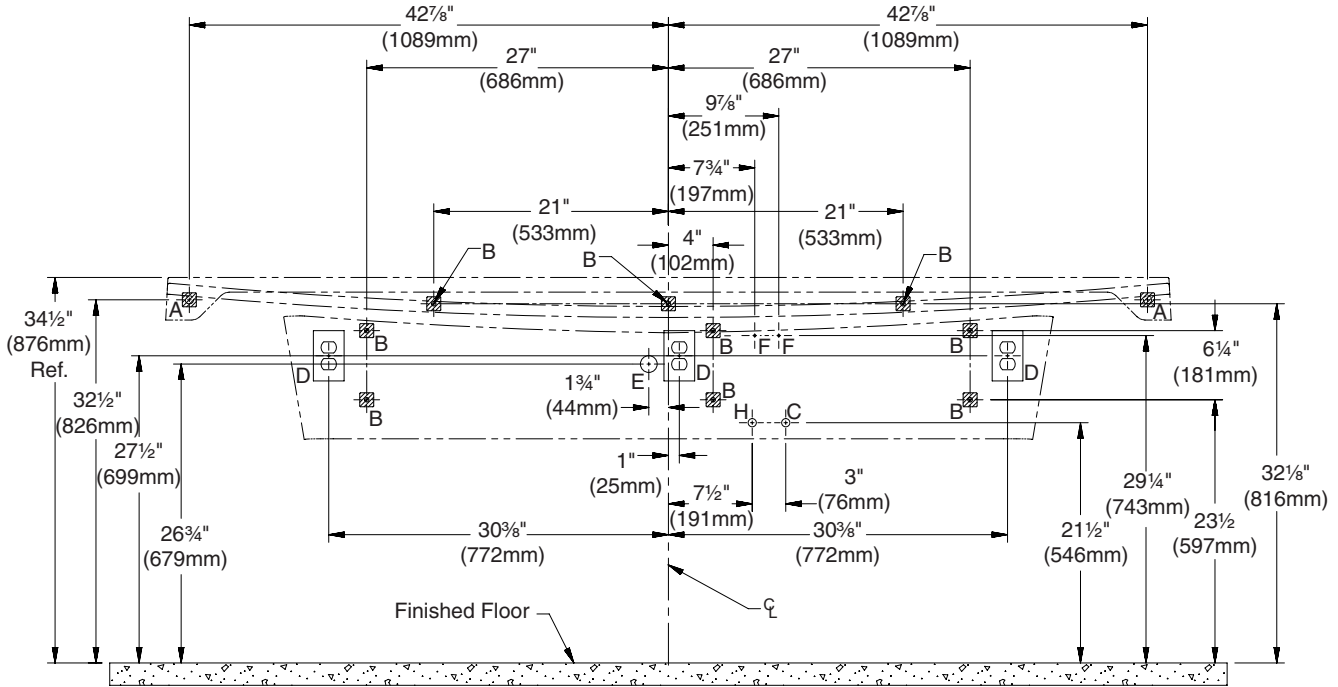


# LVLD3 Verge® Wash Basin – LVL-Series

## Rough-Ins for LVLD3 Verge Wash Basin

Standard rough-in shown.

Reinforce wall at points A and B.



CODE	DESCRIPTION	QTY.
A	3/8" Bowl Anchors with a Minimum Pull-Out Force of 1,000 lbs. (reinforce walls at anchor points)	2
B	3/8" Frame Anchors with a Minimum Pull-Out Force of 1,000 lbs. (reinforce walls at anchor points)	9
H, C	1/2" Hot/Cold Supplies, Stub-Out 2" From Wall	1
D	110v GFI Protected Electrical Outlet (AC faucet and soap only)	3
E	1 1/2" NPT Drain, Stub-Out 2" from Wall	1
F	#10 Anchors for Valve Bracket Installation	2

RIM HEIGHT	VERTICAL HEIGHT ADJUSTMENTS FOR CODES A–E and H	FIXTURE STYLE
34"	None	Standard Height, ADA and TAS
31"	Subtract 3"	ADA Juvenile and TAS, Grades 6 thru 12