



Sight & Urinal Screens Solid Phenolic Core

Construction

Sight and urinal screens shall be 1/2" thick constructed of solid phenolic core with a high-pressure decorative matte surface finish as an integral part of the core material. Edges shall be black machined and finished smooth with a 15-degree edge.

Sight Screens

Sight screens are fabricated 58" high, floor-braced with 5" pilaster; attached with four stainless steel stirrup brackets, two at the wall and two at the pilaster. Sight screens can also be attached using "two-ear" stainless steel or aluminum continuous brackets at the wall along with a continuous "U" bracket at the pilaster. Also available with floor-mounted overhead braced pilasters, floor-to-ceiling pilasters or an aluminum post.

Urinal Screens

Urinal screens are fabricated 48" high. They may be wall hung and attached to the wall with three cast stainless steel stirrup brackets. Urinal screens can also be hung using two-ear stainless steel or aluminum continuous brackets. Also available with floor-braced pilasters, floor-to-ceiling pilasters or an aluminum post.

Hardware

Screens shall be provided with all hardware and fastenings to provide a complete installation.

Standard Selections (Must select one from each category)

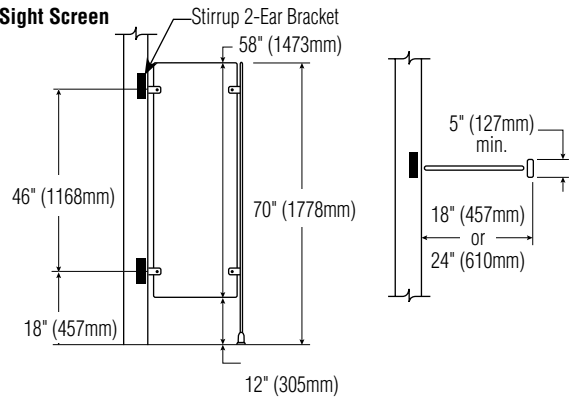
Screen Colors

Almond	Graphite Grafix
Earth Wash	Natural Canvas
Folkstone Celesta	Navy Grafix

Wall Brackets

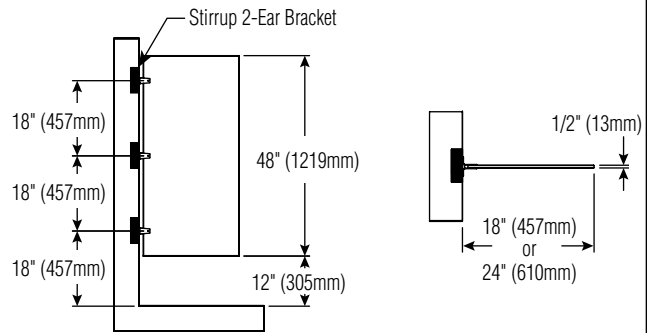
Stainless Steel Stirrup (STD)	Continuous – Stainless Steel
Continuous - Aluminum	

Sight Screen



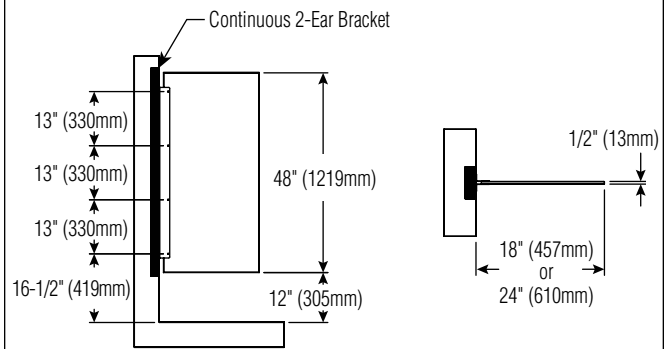
Generally recommended for Sight Screen application. Screen has floor mounting and requires minimum 3" concrete floor for anchoring.

Wall Hung Urinal Screen with Stirrup Brackets



Most common urinal screen application

Wall Hung Urinal Screen with Continuous Brackets



Generally used for urinal screen application where added durability is needed for high traffic areas.

Verify all rough-in dimensions prior to installation.

Consult local and national codes. Conformity and compliance to local and national codes is the responsibility of the installer.

Page 1 of 1 4/23/2019

This information is subject to change without notice.

Bradley_UrinalScreen_Phenolic

© 2019 Bradley
P.O. Box 309, Menomonee Falls, WI 53052-0309
800 BRADLEY (800 272 3539) +1 262 251 6000
bradleycorp.com