



DISCONTINUED

WF2613

Classic Corner Washfountain with 9" Deep Bowl

Standard Selections (Must select one from each category)	
Drain Type (select one)	
A Off-line vent with supplies from below	H Centrally rising vent with supplies from below
B Centrally rising vent with supplies from above	O Off-line vent with supplies from above
Mounting Height Type (select one)	
STD Standard Height	JUV Juvenile Height
Sprayhead Type (select one)	
CLC Classic Sprayhead (entire sprayhead activates)	
Activation Type (select one)	
F Foot	TTPA TouchTime Pushbutton***
IRP Infrared	TTPB TouchTime Piezo Switch****
AST4 Air Pushbutton	
Water Supply Type (select one)	
MMV Manual Mixing Valve‡	TMA Thermostatic Mixing Valve
Soap Dispenser (select one)	
PSD Powdered Soap Dispenser	MPSD Metal-Clad Powdered Soap Disp.
LSD Liquid Soap Dispenser	SA Cube Adapter for Individual Soap Dispensers (dispensers sold separately)†
MLSD Metal-Clad Liquid Soap Dispenser	NSD No Soap Dispenser
Terrazzo Bowl Color (select one)	
<i>Standard Colors</i>	
GRANITO Granito (Beige)	WHT-MARM White Marmorite
<i>Premium Terrazzo Colors* (available at an additional charge)</i>	
W-GRAY Whisper Gray*	D-ROSE Dusty Rose*

Optional Selections

Shroud Type

- SH** Stainless Steel Shroud (Conceals Overhead Piping)*
NONE No Shroud

NOTE: Floor to ceiling height is required; maximum height of 13 ft. 0 in. A height greater than the maximum height will be considered a special order.

Support Tube Reinforcement Type

- TA** 1-1/2" Tie Pipe Assembly (not required when SH is selected) §
NONE No Tie Pipe Assembly

Towel Dispenser Type

- CFTD** (2) C-Fold, Multi-Fold Dispenser
SFTD (2) Single-Fold Dispenser
NONE No Towel Dispenser

Hose Bibb Type

- HB** Hose Bibb**
NONE No Hose Bibb

* Non-cancelable, not-returnable

** Available with STD height only. Non-cancelable, non-returnable.

*** TTPA and TTPB require a low-voltage UL/CSA listed 120VAC/12VDC plug-in adapter.

† Towel Dispenser with SA soap option is non-cancelable and non-returnable.

§ Required with drain A, drain O, and towel dispenser.

‡ Not a temperature limiting device. Installer must provide an ASSE 1070 device where required per code.



DISCONTINUED

WF2613

Classic Corner Washfountain with 9" Deep Bowl

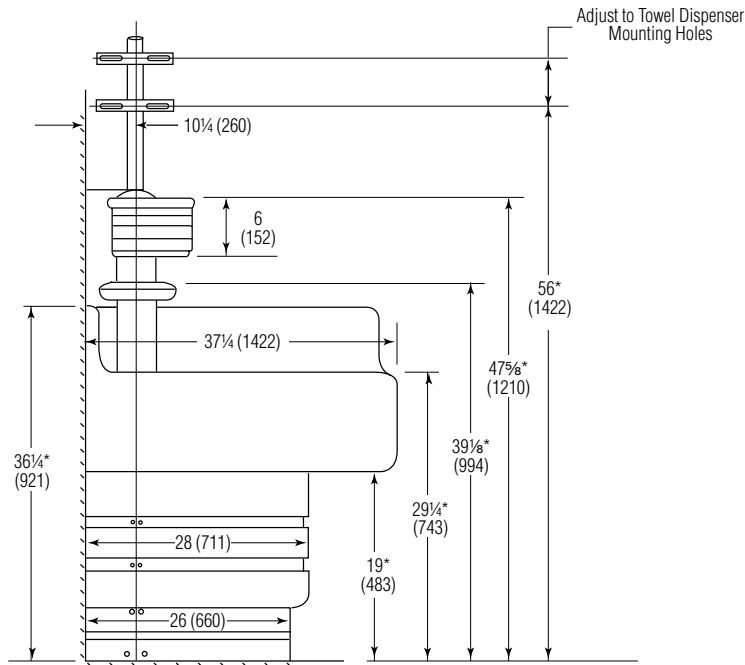
Dimensions



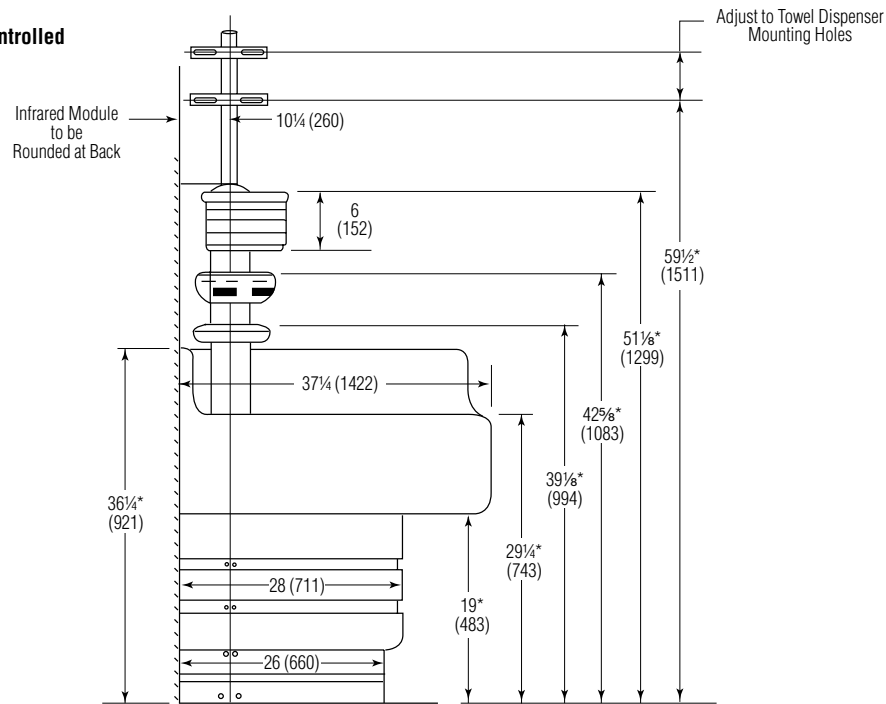
*Juvenile Height for Both Models:
Subtract 4" (102)

(mm)

Foot Controlled



Infrared Controlled





DISCONTINUED

WF2613

Classic Corner Washfountain with 9" Deep Bowl

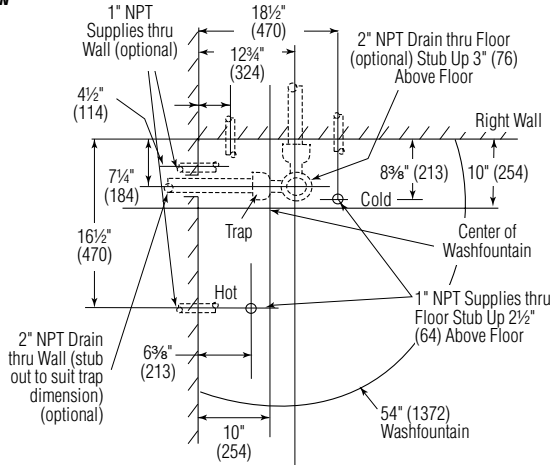
(mm)

Rough-Ins

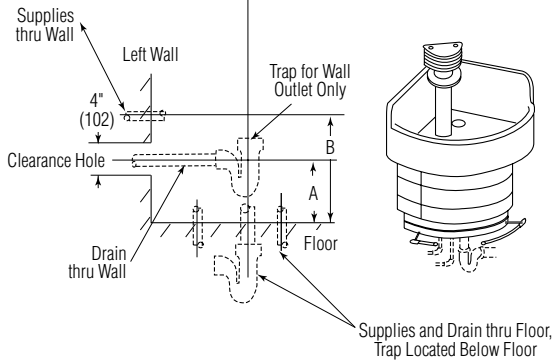
Type A

– Off-line vent with supplies from below

Top View



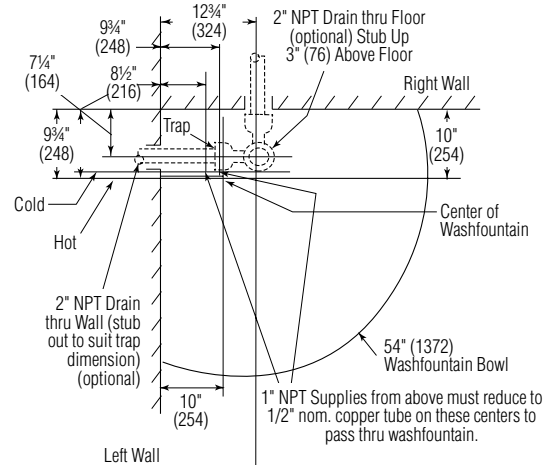
Side View



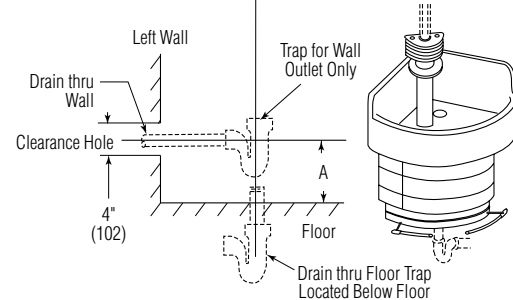
Type O

– Off-line vent with supplies from above.

Top View



Side View



Coupling and Nipple Hookups: Use the chart to the right when hookup is made with a coupling and nipple. When trap is installed tight to bottom of bowl, dimension **A** depends on design of trap. (2" drain through wall must not interfere with diagonal frame member on pedestal).

Dim.	Right Wall		Left Wall	
	STD.	JUV.	STD.	JUV.
A	11 1/4" to 13 1/4" (286 - 337)	9 1/4" to 10 1/4" (235 - 260)	6" to 11" (152 - 279)	6" to 8 1/2" (152 - 216)
B	12" (305)	8 1/4" (210)	12" (305)	8 1/4" (210)

Rough-In Notes

1. All pipes and fittings not furnished by Bradley are shown in broken lines.
2. Supply lines for one to two washfountains should be 1", for three washfountains 1 1/4", for more than three washfountains, pipe sizes should be increased proportionately.
3. Overhead supplies must be reduced to 1/2" copper pipe to pass through support tube.
4. Check valve inlets are 1/2" NPT.
5. UPC and IPC restrict the vertical distance from the fixture outlet to the trap weir to not more than 24" (610). Check state and local codes for variances.



DISCONTINUED

WF2613

Classic Corner Washfountain with 9" Deep Bowl

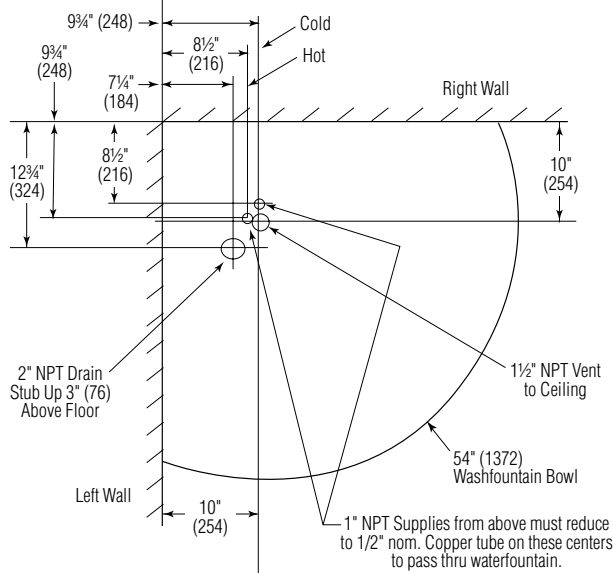
(mm)

Rough-In Dimensions for Drain and Supplies

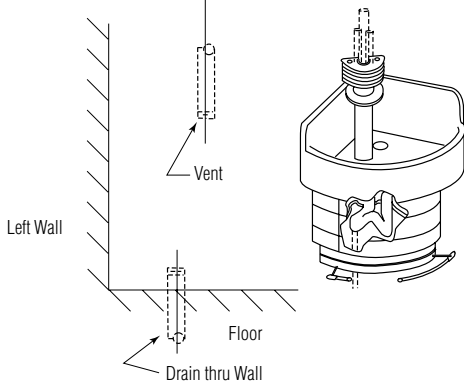
Type B Drain

– Centrally rising vent with supplies from above.

Top View



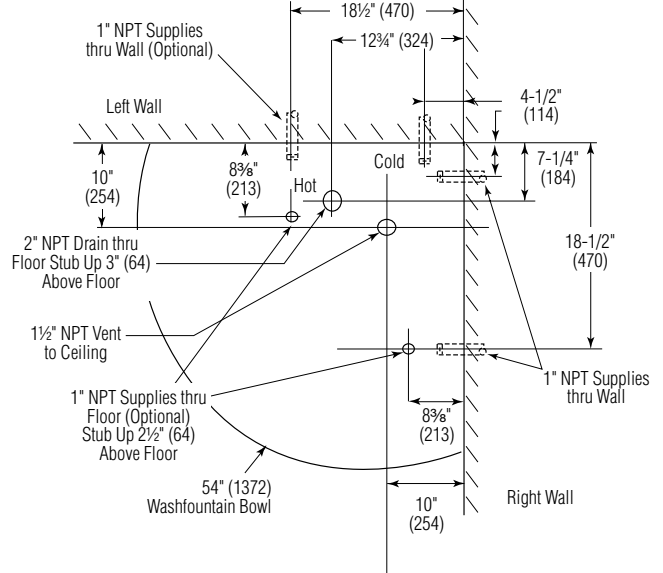
Side View



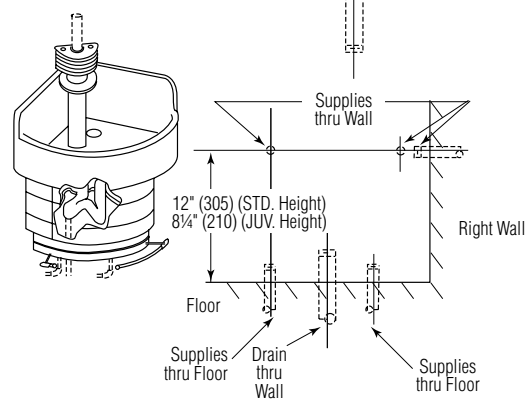
Type H Drain

– Centrally rising vent with supplies from below.

Top View



Side View



Rough-In Notes

1. All pipes and fittings not furnished by Bradley are shown in broken lines.
2. Supply lines for one to two washfountains should be 1", for three washfountains 1 1/4"; for more than three washfountains, pipe sizes should be increased proportionately.
3. Overhead supplies must be reduced to 1/2" copper tube to pass through support tube.
4. Check valve inlets are 1/2" NPT.
5. For maximum rigidity of sprayhead/support tube assembly, use 1 1/2" NPT galvanized pipe for vent. Use of plastic or copper for vent is not recommended.