



# SN2003, SN2023, SN2004, SN2024 Sentry™ Semi-Circular Shallow Bowl Washfountain

- cUPC Certified
- Available with Infrared, Air or TouchTime™
- Available in a 54" or 36" Bowl Size – Wall-Mounted or Floor-Mounted
- Standard Height Models and Juvenile Height 54" Models with Air (Hand), Infrared or TouchTime® Pushbutton and Piezo are ADA/TAS Compliant
- Factory Tested and Shipped Pre-assembled
- Vandal Resistant and Easy to Clean

## Specifications

### Size and Capacity

Accommodates 3 users (36" models) or 4 users (54" models) at a time, using less water, energy and space than lavs equipped with conventional faucets. The sectional sprayhead module is controlled by a push button, which actuates an air valve (hand or foot control models), or a solenoid valve (TouchTime® models) or by an infrared sensor-actuated solenoid. Flow restrictor keeps flow rate constant at 0.5 GPM per station for all pressures. Operating range is 20-80 PSI.

## Construction

### Bowl and Pedestal

All exposed materials are type 304 stainless steel polished to a #4 finish. Bowl, pedestal and access panels, frame, foot control housing; support tube; and sprayhead are heavy gauge stainless steel. Exposed fittings are chrome plated.

### Vandal Resistance

Bowl and support tube are an integrally welded assembly, with the support tube welded to an extruded flange from bowl. Sprayhead nozzles and push buttons/infrared sensors are secured to unit from inside the sprayhead module. Air valves/solenoid valves are safely concealed inside the washfountain. Access panels are removable. All supply and waste connections are concealed within the pedestal.

## Mounting Heights

Sentry washfountains can be installed at standard or juvenile height. Floor-mounted models require mounting height selection. Wall-mounted units are simply installed at the desired height.

## Standard Equipment

### Valves and Fittings

In addition to the bowl and pedestal, the following valves and fittings are standard: Navigator® thermostatic mixing valve, flexible stainless steel supply hoses and stops. Stops are 1/2" compression female.

## Activation Types

### Air Hand Activation

Each push button pneumatically actuates a non-hold-open, air metering, single-temperature valve with field adjustable timing from 0–45 seconds. Factory preset at 10 seconds. Each push button activates one valve which, in turn, activates one station. Push button requires less than five pounds of pressure.

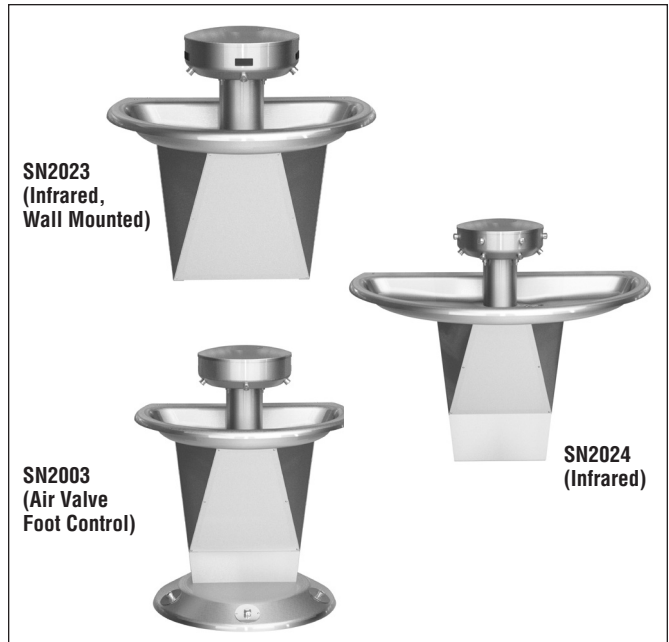
### Air - Hold Open Foot Activation

Each push button pneumatically actuates a hold-open air single temperature valve with slow closing upon release of foot pressure. Push button requires less than five pounds of pressure.

### Infrared

Each of the stream formers is controlled by a separate slow-closing solenoid valve. Hands placed within the bowl are detected by an infrared sensor module, which activates a flow of tempered water from one spray nozzle. Shut-off is automatic after hands are removed from the detection area. The infrared sensor module uses two zone-focused infrared transmitting beams, having a detection area that does not exceed the bowl perimeter. The detection range projects 6–9 inches forward at a 30° angle to each side and reaches 15° below horizontal. The infrared sensor is not affected by varying color tones or darkness. Direct sunlight or bright washroom lights will not activate the system. Infrared models also include solenoid valves and a low voltage transform as standard equipment:

- Solenoid – 12VDC, 3/8" tube fitting. Few moving parts, and resistant to most chemicals, minerals, and impurities often present in municipal water supplies.
- Low-Voltage Plug-In Adapter – UL/CSA-Listed 120VAC/12VDC plug in adapter designed to plug into a standard GFCI protected electrical outlet. Location of plug-in adapter per local electrical code.



### TouchTime®

Each low-voltage pushbutton or piezo switch actuates a non-hold-open, slow closing anti-hammer solenoid valve that is timed from an electronic potted assembly. Each pushbutton activates one valve which, in turn, activates one station. TouchTime controls water flow at each station through the use of solid state, digital circuitry. Timing is factory set at a 15 second run time, but is field adjustable to pre-set time out periods and optional auto-flush function. The 24 hour flush function will activate water flow for a period of 60 seconds any time there has been no activation within the past 24 hours. Pushbutton requires less than five pounds of pressure.

## Code Compliance and Certifications

### cUPC Approval

Sentry Washfountains are Uniform Plumbing Code (UPC), International Plumbing Code (IPC) and National Plumbing Code of Canada (NPC) approved through the International Association of Plumbing and Mechanical Officials (IAPMO). Manufactured in compliance with IGC 156-2009, CSA B45 Series-2002 (R08) & ASME A112.18.1-2005/CSA B125.1-2005.

### ADA and TAS (Texas Accessibility Standards) Compliant

All floor and wall mounted standard height models and Juvenile Height 54" models, with air metering hand, infrared or TouchTime activation, comply with all ADA/TAS guidelines on reaches, clearances and operation.



Standard product selections contained within this document are third party **CERTIFIED** to NSF/ANSI 372 meeting the Lead-Free content requirement. Any product configured with custom options will be **COMPLIANT** with NSF/ANSI 372 meeting the Lead-Free content requirement.



Certified to NSF/ANSI 372





# SN2003, SN2023, SN2004, SN2024 Sentry™ Semi-Circular Shallow Bowl Washfountain

Models (Must select one)			
Model	Size	Stations	Description
<input type="checkbox"/> SN2003	36"	3	Floor-Mounted*
<input type="checkbox"/> SN2004	54"	4	Floor-Mounted*
<input type="checkbox"/> SN2023	36"	3	Wall-Mounted*
<input type="checkbox"/> SN2024	54"	4	Wall-Mounted*

Standard Selections (Must select one from each category)			
<b>Drain Type (select one)</b>			
<input type="checkbox"/> A	Off-line vent with supplies from below	<input type="checkbox"/> H	Centrally rising vent with supplies from below
<input type="checkbox"/> B	Centrally rising vent with supplies from above	<input type="checkbox"/> O	Off-line vent with supplies from above
<b>Mounting Height Type (Models SN2003 &amp; SN2004 only) (select one)</b>			
<input type="checkbox"/> STD	Standard Height	<input type="checkbox"/> JUV	Juvenile Height
<b>Activation Type (select one)</b>			
<input type="checkbox"/> AST4	Air - Hand Activation	<input type="checkbox"/> TTPA	TouchTime Pushbutton
<input type="checkbox"/> IRP	Infrared	<input type="checkbox"/> TTPB	TouchTime Piezo Switch
<input type="checkbox"/> AST4-F	Air - Hold Open Foot Activation (SN2003 and SN2004 only)**		
<b>Soap Dispenser Type (select one)</b>			
<input type="checkbox"/> LSD	Two Integral Liquid Soap Dispensers		
<input type="checkbox"/> NSD	No Soap Dispenser		
<b>Water Supply Type (select one)</b>			
<input type="checkbox"/> TMA	Thermostatic Mixing Valve	<input type="checkbox"/> TL	Tempered Line Supply
<input type="checkbox"/> PBV	Pressure Balance Mixing Valve		

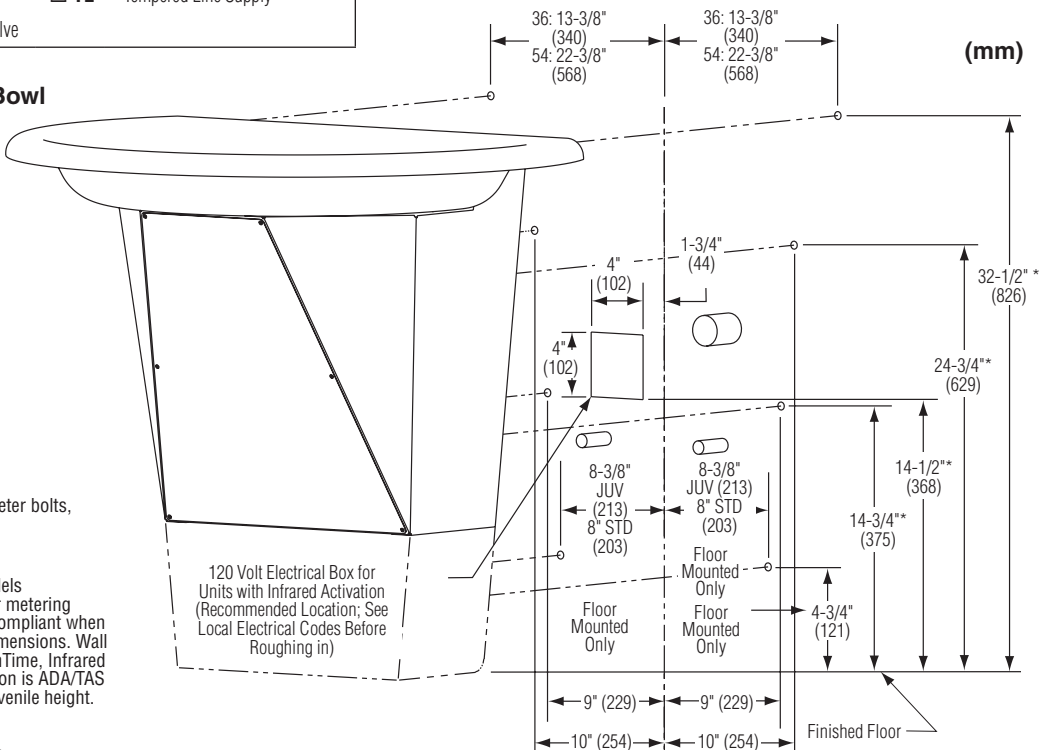
Optional Selections	
<b>Backsplash Type</b>	
<input type="checkbox"/> BS	Bolted On Backsplash
<input type="checkbox"/> NBS	No Backsplash
<b>Towel Dispenser Type</b>	
<input type="checkbox"/> CFTD	(2)C-Fold, Multi-Fold Dispenser
<input type="checkbox"/> SFTD	(2) Single-Fold Dispenser
<input type="checkbox"/> NONE	No Towel Dispenser
<b>Shroud Type (Models SN2003 &amp; SN2004 Only)†</b>	
<input type="checkbox"/> SH	Stainless Steel Shroud (Conceals overhead plumbing)
<input type="checkbox"/> NONE	No Shroud

\* Models are ADA/TAS Compliant when mounted at standard or juvenile height dimensions with infrared, TouchTime or air metering hand activation.

\*\* Non-cancelable, not-returnable

† Shroud is recommended for drain type B, H and O to conceal vent and/or supplies.

## Rough-In Dimensions for Bowl and Pedestal Wall Anchors



**Rough-In Notes**  
Anchor locations for 3/8" diameter bolts, both supplied by installer.



Wall mounted 54" and 36" models with TouchTime, Infrared or air metering hand activation are ADA/TAS compliant when mounted at standard height dimensions. Wall mounted 54" model with TouchTime, Infrared or hand metering hand activation is ADA/TAS compliant when mounted at juvenile height.

\* Subtract 4" (102) from this dimension for juvenile height.



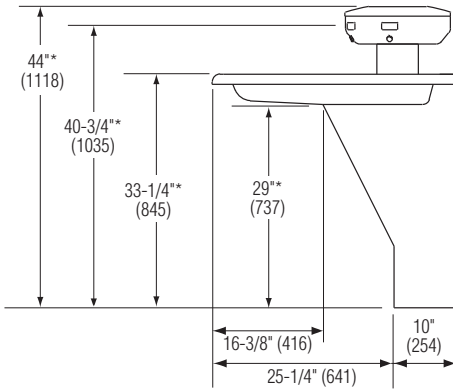
# SN2003, SN2023, SN2004, SN2024 Sentry™ Semi-Circular Shallow Bowl Washfountain

## Dimensions - Sentry™ 54" Floor Mounted

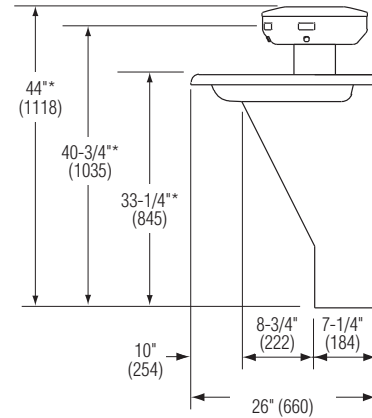
## Dimensions - Sentry™ 36" Floor Mounted

(mm)

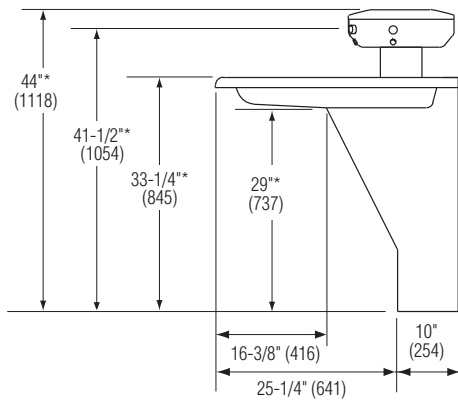
### Infrared Activation



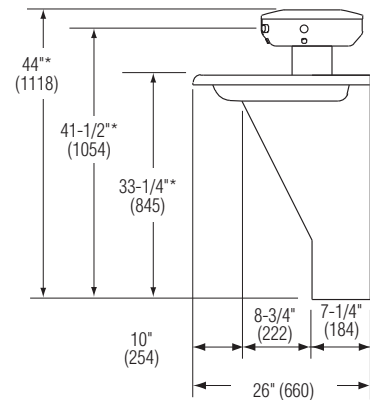
### Infrared Activation



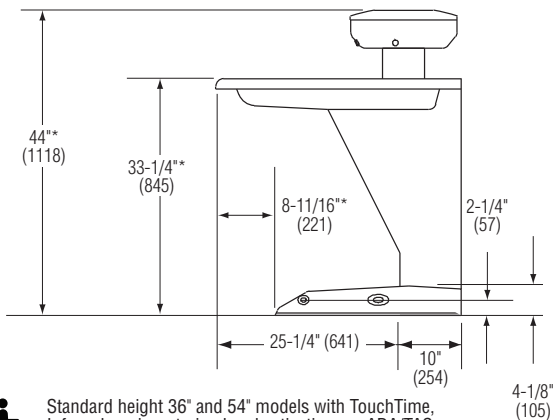
### Hand Activation (AST4 and TouchTime)



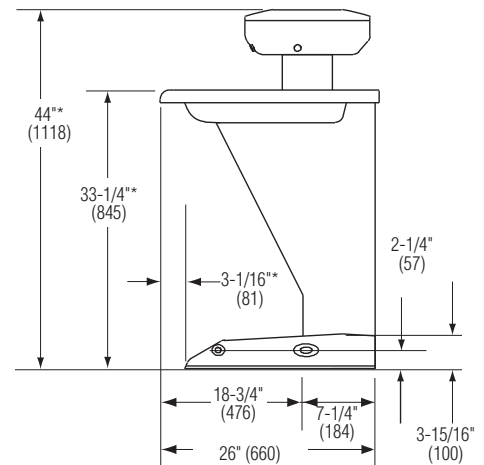
### Hand Activation (AST4 and TouchTime)



### Air Valve - Hold Open Foot Activation



### Air Valve - Hold Open Foot Activation



Standard height 36" and 54" models with TouchTime, Infrared or air metering hand activation are ADA/TAS compliant when mounted at standard height dimensions. Juvenile height 54" model with TouchTime, Infrared or air metering hand activation is ADA/TAS compliant.

\* Subtract 4" (102) from this dimension for juvenile height.

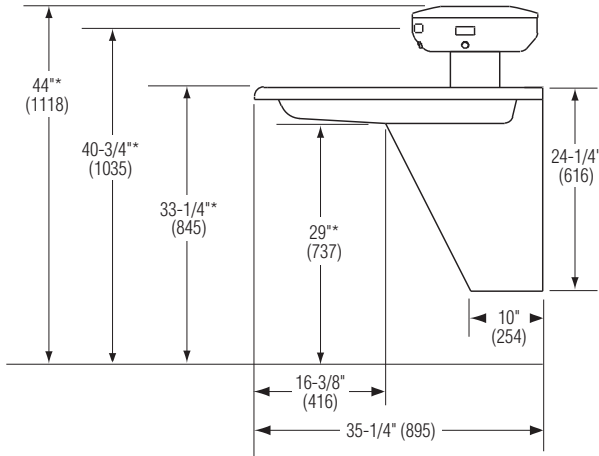


# SN2003, SN2023, SN2004, SN2024 Sentry™ Semi-Circular Shallow Bowl Washfountain

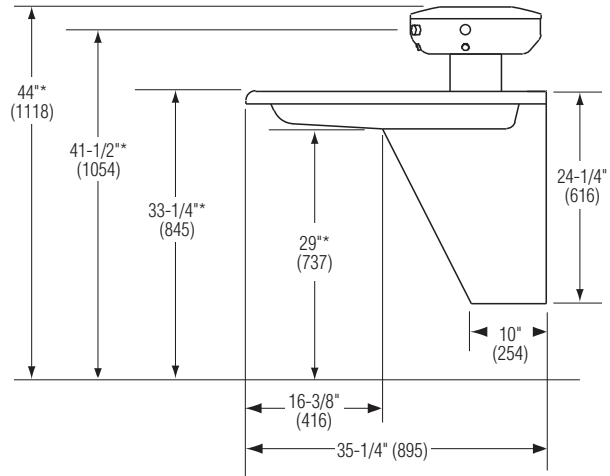
Dimensions - Sentry 54" and 36" Wall Mounted

(mm)

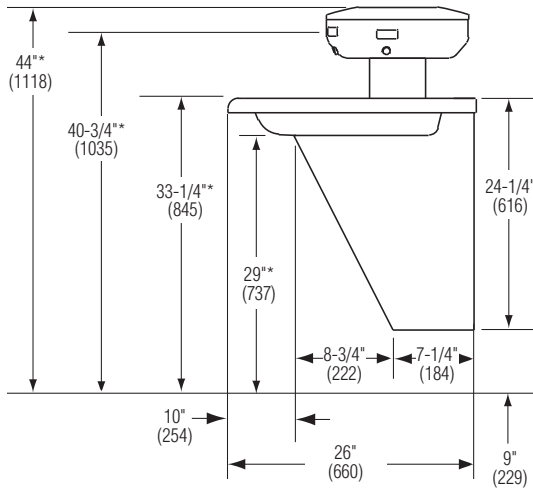
## 54" Infrared Activation



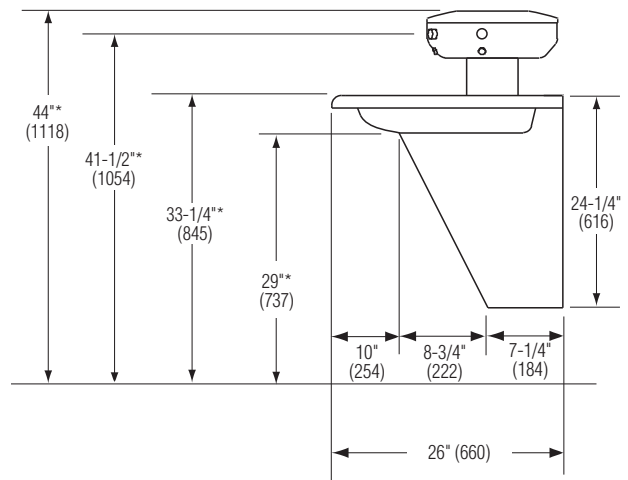
## 54" Hand Activation (AST4 and TouchTime)



## 36" Infrared Activation



## 36" Hand Activation (AST4 and TouchTime)



Wall mounted 54" and 36" models with TouchTime, Infrared or air metering hand activation are ADA/TAS compliant when mounted at standard height dimensions. Wall mounted 54" model with TouchTime, Infrared or air metering hand activation is ADA/TAS compliant when mounted at juvenile height.

\* Subtract 4" (102) from this dimension for juvenile height.



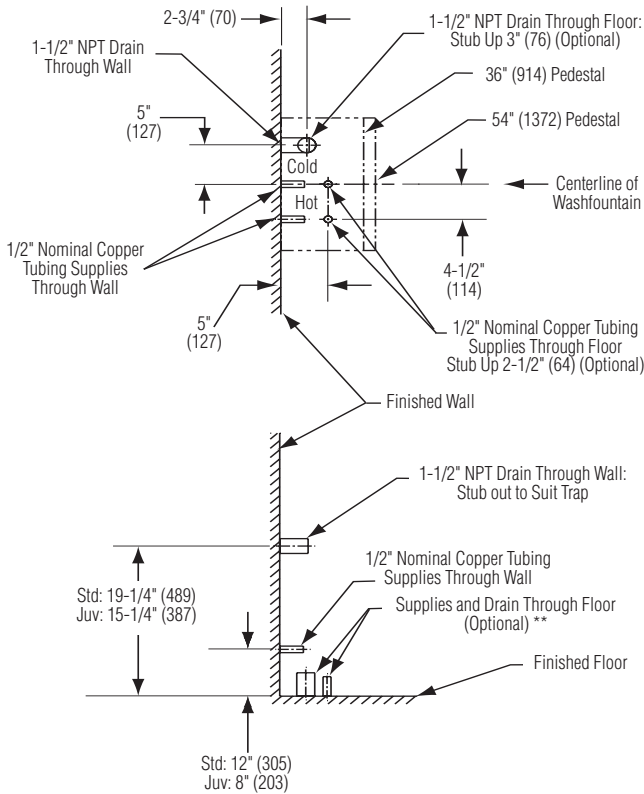
# SN2003, SN2023, SN2004, SN2024 Sentry™ Semi-Circular Shallow Bowl Washfountain

## Rough-In Dimensions for Drain and Supplies

(mm)

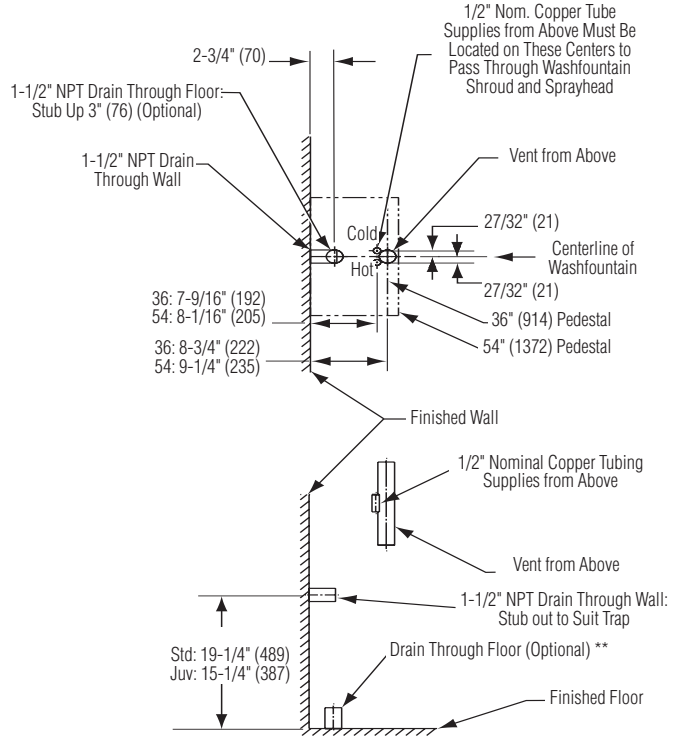
### Type A

– Off-line vent with supplies from below



### Type B

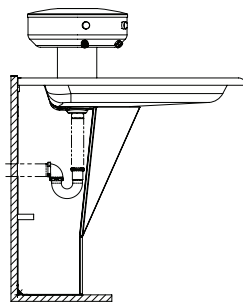
– Centrally rising vent with supplies from above



\*\* Floor Mounted Units Only

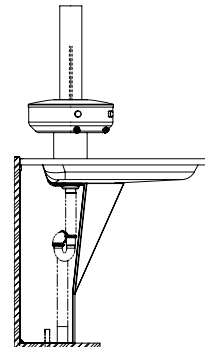
### Type A Drain

- Supplies below
- Off-drain vent
- P-Trap furnished by others



### Type B Drain

- Supplies above
- Centrally-rising vent
- P-Trap furnished



### Rough-In Notes

1. Maximum flow rate required to washfountain is 1.5 GPM for Models SN2003 and SN2023 or 2.0 GPM for Model SN2004 and SN2024. Size supply lines accordingly.
2. Unit with "A" drain and paper towel dispensers and/or a shroud, should use "H" drain Rough-Ins.



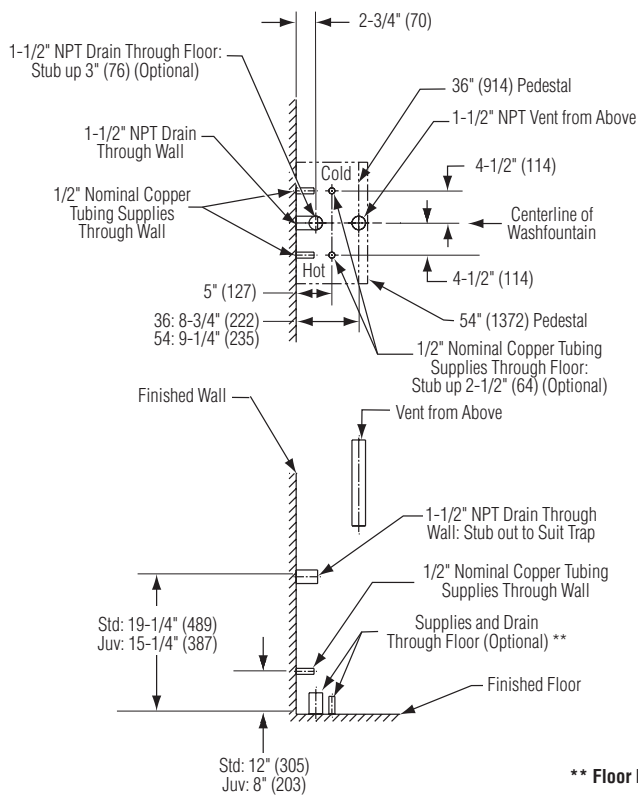
# SN2003, SN2023, SN2004, SN2024 Sentry™ Semi-Circular Shallow Bowl Washfountain

## Rough-In Dimensions for Drain and Supplies

(mm)

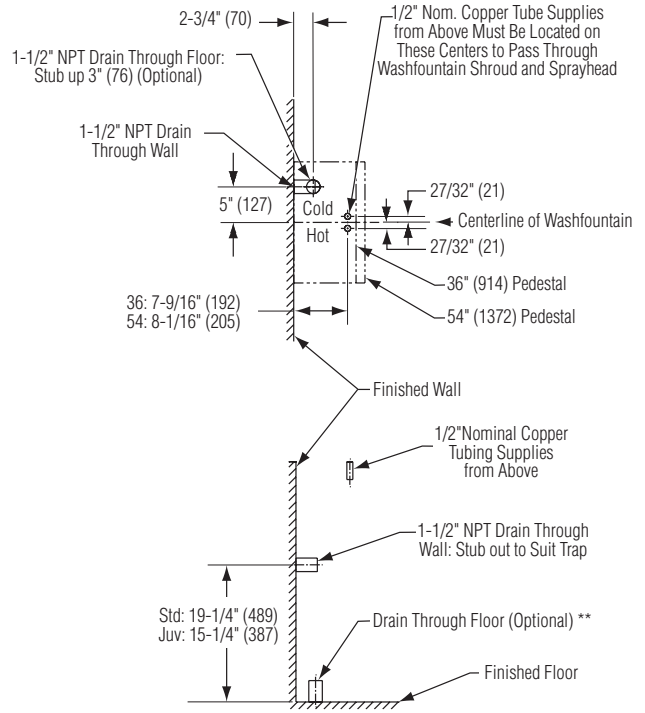
### Type H Drain

– Centrally rising vent with supplies from below



### Type O Drain

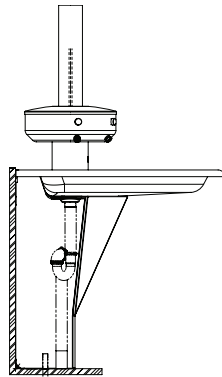
– Off-line vent with supplies from above



\*\* Floor Mounted Units Only

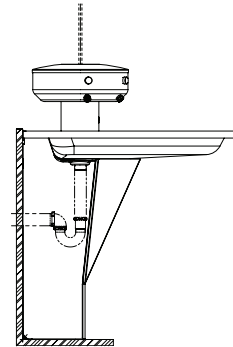
### Type H Drain

- Supplies below
- Centrally-rising vent
- P-Trap furnished



### Type O Drain

- Supplies above
- Off-drain vent
- P-Trap furnished by others



### Rough-In Notes

- Maximum flow rate required to washfountain is 1.5 GPM for Models SN2003 and SN2023 or 2.0 GPM for Model SN2004 and SN2024. Size supply lines accordingly.
- Unit with "O" drain and paper towel dispensers and/or a shroud, should use "B" drain Rough-Ins.