



SN2013, SN2033

Sentry™ Corner Shallow Bowl Washfountains

- cUPC Certified
- Available with Infrared, Air or TouchTime
- 54" Bowl Size – Wall-Mounted or Floor-Mounted
- Standard and Juvenile Height with Air (hand), TouchTime® Pushbutton and Piezo Infrared are ADA/TAS Compliant
- Factory Tested and Shipped Pre-assembled
- Vandal Resistant and Easy to Clean

Specifications

Size and Capacity

Accommodates three users at a time, using less water, energy and space than lavs equipped with conventional faucets. The sectional sprayhead module is controlled by a push button, which actuates an air valve (hand or foot control models), or a solenoid valve (TouchTime models) or by an infrared sensor-actuated solenoid valve.

Flow Control/Rate

Operating water pressure range is 20–80 psi. Flow regulators keep flow rate constant at all pressures. A flow restrictor keeps the flow rate at constant a .5 GPM under any pressure.

Construction

Bowl and Pedestal

All exposed materials are type 304 stainless steel polished to a #4 finish. Bowl, pedestal, access panels, frame, foot control housing, support tube and sprayhead are heavy gauge stainless steel. Exposed fittings are chrome plated.

Vandal Resistance

Bowl and support tube are an integrally welded assembly, with the support tube welded to extruded flange from bowl. Sprayhead nozzles and push buttons/infrared sensors are secured to unit from inside the sprayhead module. Air valves/solenoid valves are safely concealed inside the washfountain. Access panels are removable only with a hex key. All supply and waste connections are concealed within the pedestal.

Mounting Heights

Sentry washfountains can be installed at standard or juvenile height. Floor-mounted models require mounting height selection. Wall-mounted units are simply installed at the desired height.

Standard Equipment

Valves and Fittings

In addition to the bowl and pedestal, the following valves and fittings are standard: Navigator® thermostatic mixing valve, flexible stainless steel supply hoses and stops. Stop valves are 1/2" compression fitting female.

Activation Types

Air - Hold Open Foot Activation

Each push button pneumatically actuates a hold-open air single temperature valve with slow closing upon release of foot pressure. Push button requires less than five pounds of pressure.

Air - Hand Activation

Each push button pneumatically actuates a non-hold-open, air metering, single-temperature valve with field adjustable timing from 0–45 seconds. Factory preset at 10 seconds. Each push button activates one valve which, in turn, activates one station. Push button requires less than five pounds of pressure.

Infrared

Each of the stream formers is controlled by a separate slow-closing solenoid valve. Hands placed within the bowl are detected by an infrared sensor module, which activates a flow of tempered water from one spray nozzle. Shut-off is automatic after hands are removed from the detection area. The infrared sensor module uses two zone-focused infrared transmitting beams, having a detection area that does not exceed the bowl perimeter. The detection range projects 6–9 inches forward at a 30° angle to each side and reaches 15° below horizontal. The infrared sensor is not affected by varying color tones or darkness. Direct sunlight or bright washroom lights will not activate the system. Infrared models also include solenoid valves and a low voltage transform as standard equipment.



- Solenoid – 12VDC, 3/8" tube fitting. Few moving parts, and resistant to most chemicals, minerals, and impurities often present in municipal water supplies.
- Low-Voltage Plug-In Adapter – UL/CSA-listed 120VAC/12VDC plug-in adapter designed to plug into a standard GFCI protected electrical outlet. Location of plug-in adapter per local electrical code.

TouchTime®

Each low-voltage pushbutton or piezo switch actuates a non-hold-open, slow closing anti-hammer solenoid valve that is timed from an electronic potted assembly. Each pushbutton activates one valve which, in turn, activates one station. TouchTime controls water flow at each station through the use of solid state, digital circuitry. Timing is factory set at a 15 second run time, but is field adjustable to pre-set time out periods and optional auto-flush function. The 24 hour flush function will activate water flow for a period of 60 seconds any time there has been no activation within the past 24 hours. Pushbutton requires less than five pounds of pressure.


Code Compliance and Certifications

UPC Approval

Sentry™ Washfountains are Uniform Plumbing Code (UPC) approved through the International Association of Plumbing and Mechanical Officials (IAPMO).

Barrier-Free (ADA Compliant)

Standard and juvenile height models with hand, TouchTime or infrared control are designed to comply with all ADA/TAS guidelines on reaches, clearances and operation.

 Standard product selections contained within this document are third party **CERTIFIED** to NSF/ANSI 372 meeting the Lead-Free content requirement. Any product configured with custom options will be **COMPLIANT** with NSF/ANSI 372 meeting the Lead-Free content requirement.



Certified to NSF/ANSI 372





SN2013, SN2033 Sentry™ Corner Shallow Bowl Washfountains

Models (Must select one)			
Model	Size	Stations	Description
<input type="checkbox"/> SN2013	54"	3	Floor-Mounted*
<input type="checkbox"/> SN2033	54"	3	Wall-Mounted*

Standard Selections (Must select one from each category)			
Drain Type (select one)			
<input type="checkbox"/> A	Off-line vent with supplies from below	<input type="checkbox"/> H	Centrally rising vent with supplies from below
<input type="checkbox"/> B	Centrally rising vent with supplies from above	<input type="checkbox"/> O	Off-line vent with supplies from above
Mounting Height Type (SN2013 only) (select one)			
<input type="checkbox"/> STD	Standard Pedestal Height	<input type="checkbox"/> JUV	Juvenile Pedestal Height
Activation Type (select one)			
<input type="checkbox"/> AST4	Air - Hand Activation	<input type="checkbox"/> TTPA	TouchTime Pushbutton
<input type="checkbox"/> AST4-F	Air - Hold Open Foot Activation**	<input type="checkbox"/> TTPB	TouchTime Piezo Switch
<input type="checkbox"/> IRP	Infrared		
Soap Dispenser Type (select one)			
<input type="checkbox"/> LSD	Two Integral Liquid Soap Dispensers		
<input type="checkbox"/> NSD	No Soap Dispenser		
Water Supply Type (select one)			
<input type="checkbox"/> TMA	Thermostatic Mixing Valve	<input type="checkbox"/> TL	Tempered Line Supply
<input type="checkbox"/> PBV	Pressure Balance Mixing Valve		

Optional Selections	
Towel Dispenser Type	
<input type="checkbox"/> CFTD (2) C-Fold, Multi-Fold Dispenser	<input type="checkbox"/> NONE No Towel Dispenser
<input type="checkbox"/> SFTD (2) Single-Fold Dispenser	
Shroud Type (SN2013 Only)	
<input type="checkbox"/> SH Stainless Steel Shroud (Conceals overhead plumbing)	
<input type="checkbox"/> NONE No Shroud	

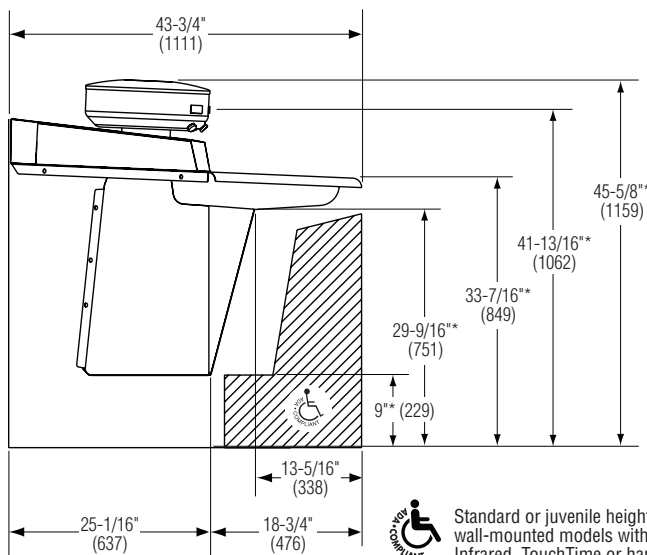
* These models are ADA/TAS Compliant when mounted at standard or juvenile height dimensions with Infrared, TouchTime Pushbutton, TouchTime Piezo or Air (hand) Activation

** Non-cancelable, not-returnable.

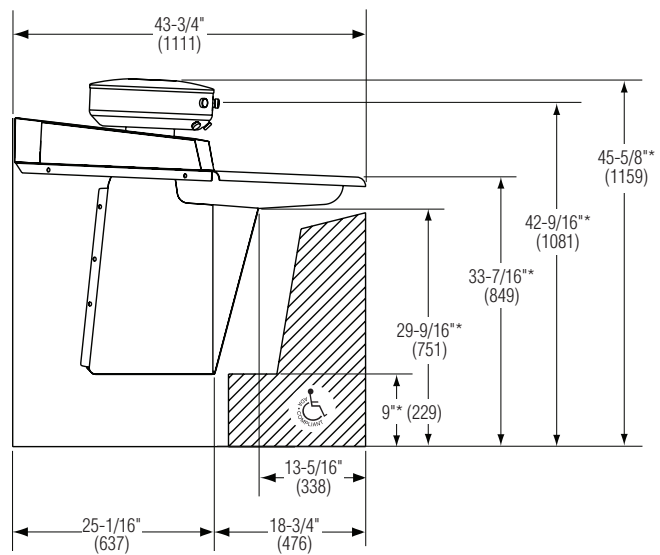
Dimensions - Sentry™ Wall-Mounted

(mm)

Infrared Activation



Hand Activation (AST4 and TouchTime)

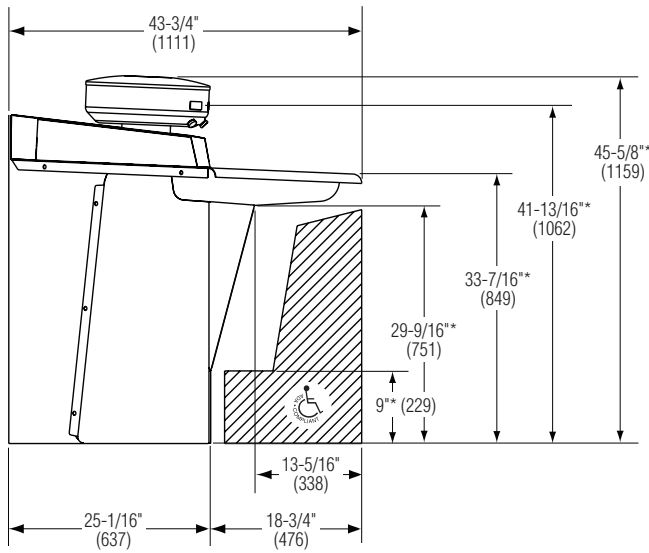


Standard or juvenile height wall-mounted models with Infrared, TouchTime or hand control are ADA/TAS compliant.

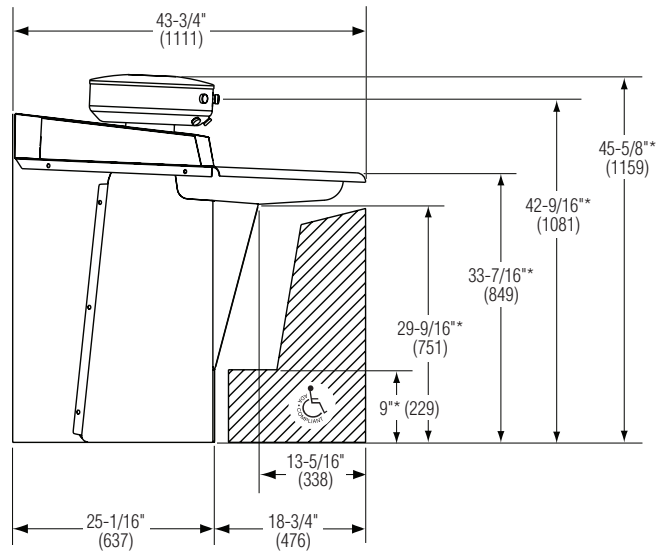
* Subtract 4" (102) from this dimension for juvenile height.



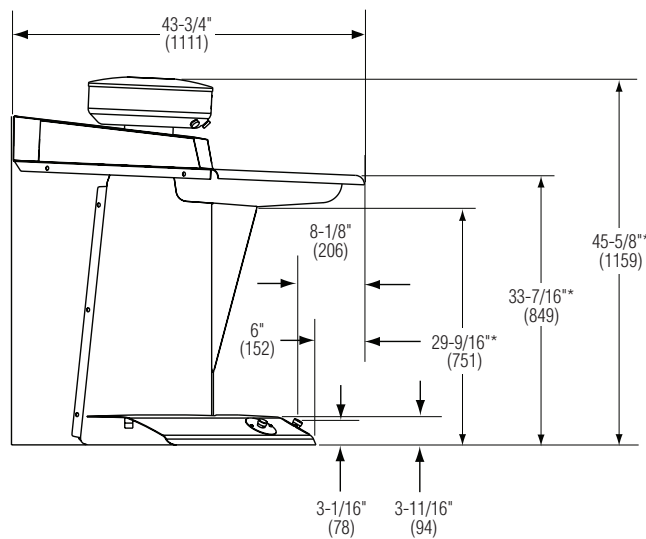
Infrared Activation



Hand Activation (AST4 and TouchTime)



Foot Activation



Standard or juvenile height floor-mounted models with Infrared, TouchTime or hand control are ADA/TAS compliant.

* Subtract 4" (102) from this dimension for juvenile height.



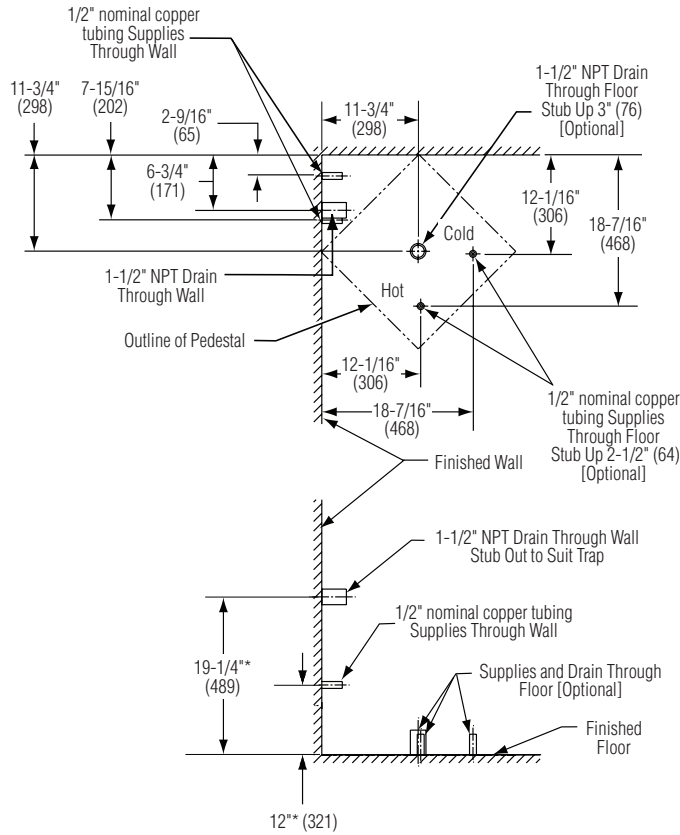
SN2013, SN2033 Sentry™ Corner Shallow Bowl Washfountains

Rough-In Dimensions for Drain and Supplies

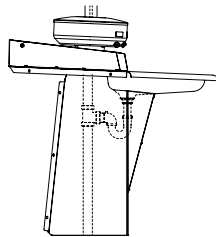
(mm)

Type A -

Off-line vent with supplies from below or through wall.



* Subtract 4" (102) from this dimension for juvenile height.

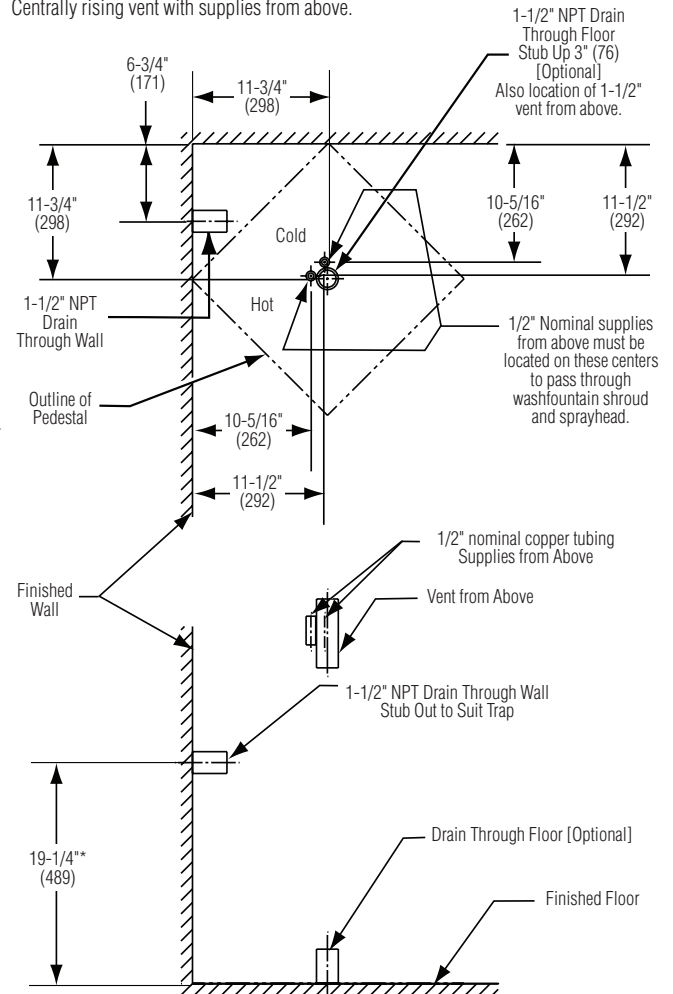


Drain Type A -

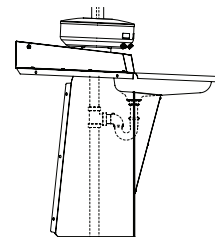
Supplies below, vent off drain.
P-Trap furnished by others.

Type B -

Centrally rising vent with supplies from above.



* Subtract 4" (102) from this dimension for juvenile height.



Drain Type B -

Supplies above, centrally rising vent.
P-Trap furnished.

Rough-In Notes

1. Maximum flow rate required to washfountain is 1.5 GPM. Size supply lines accordingly.
2. Wall drain and supplies can be on either wall.
3. Unit with "A" drain and paper towel dispensers and/or a shroud should use "H" drain Rough-Ins.

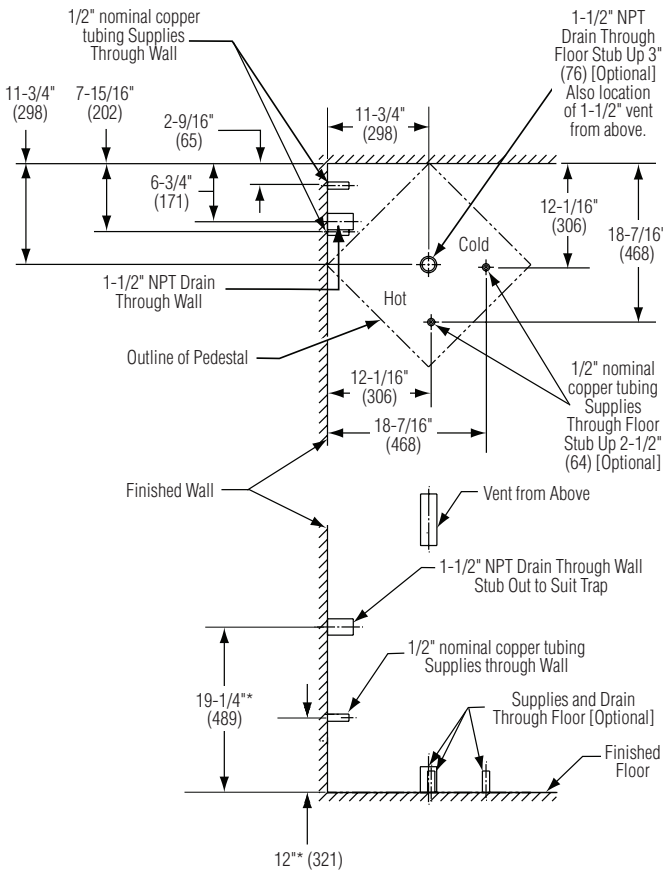


Rough-In Dimensions for Drain and Supplies

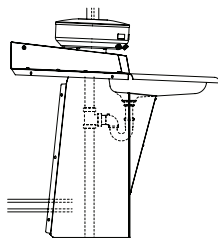
(mm)

Type H -

Centrally rising vent with supplies from below or through wall.



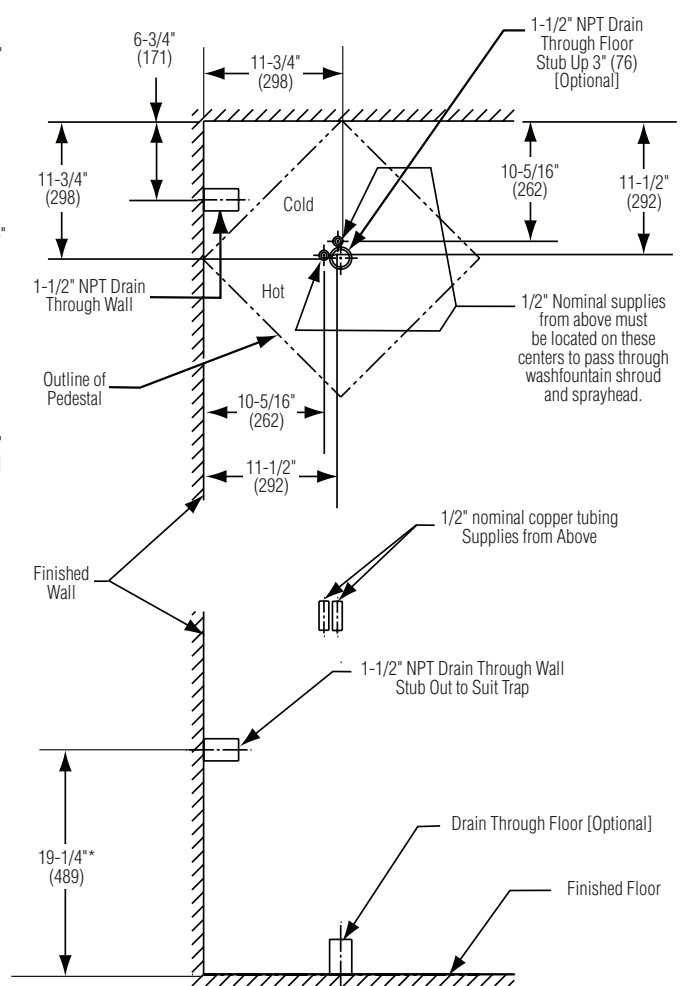
* Subtract 4" (102) from this dimension for juvenile height.



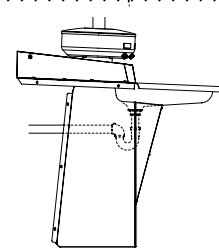
Drain Type H -
Supplies below, centrally rising vent. P-Trap furnished.

Type O -

Off-line vent with supplies from above.



* Subtract 4" (102) from this dimension for juvenile height.



Drain Type O -
Supplies above, vent off drain. P-Trap furnished by others.

Rough-In Notes

1. Maximum flow rate required to washfountain is 1.5 GPM. Size supply lines accordingly.
2. Wall drain and supplies can be on either wall.
3. Unit with "O" drain and paper towel dispensers and/or a shroud should use "B" drain for Rough-Ins.



SN2013, SN2033 Sentry™ Corner Shallow Bowl Washfountains

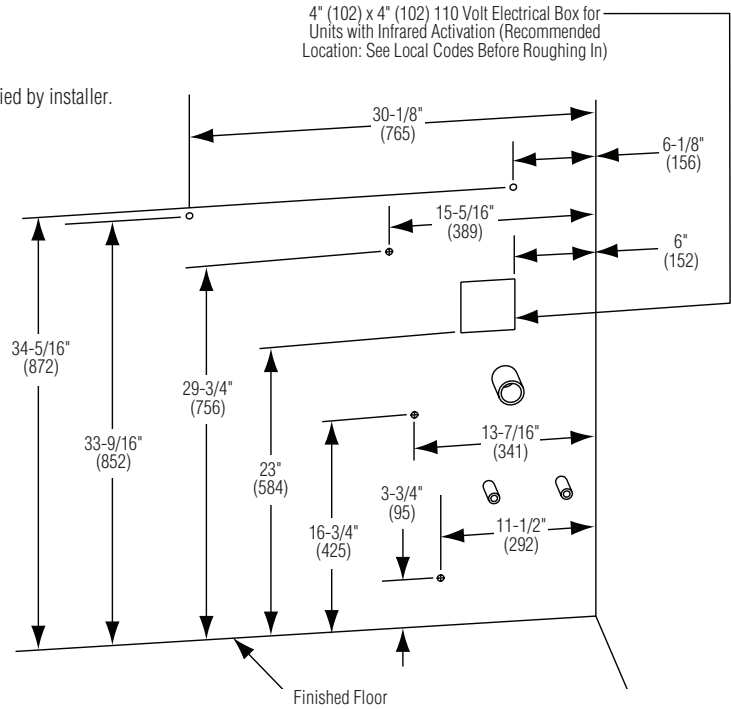
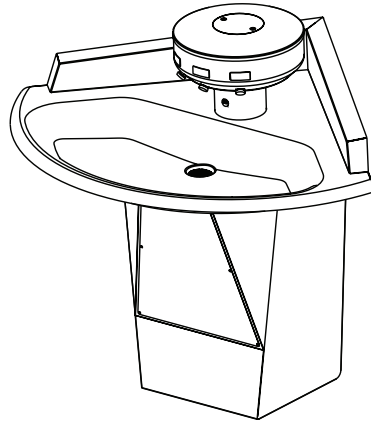
Rough-In Dimensions for Bowl and Pedestal - Floor-Mounted

(mm)

Standard Mounting for SN2013

Rough-In Notes

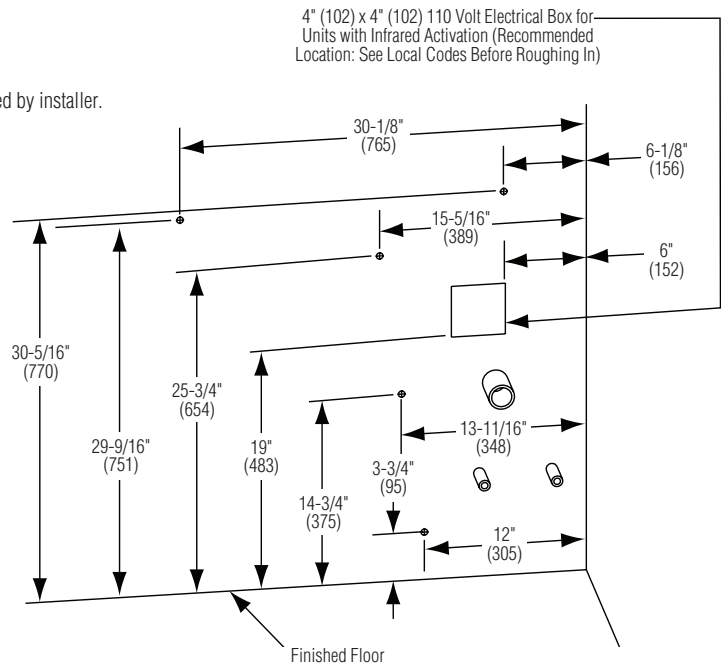
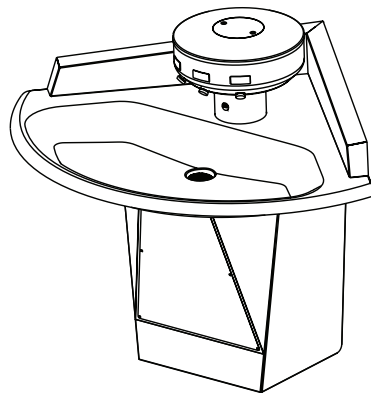
1. Anchor locations are shown for 3/8" diameter bolts. Anchors and bolts are supplied by installer.
2. Wall drain and supplies can be on either wall.



Juvenile Mounting for SN2013

Rough-In Notes

1. Anchor locations are shown for 3/8" diameter bolts. Anchors and bolts are supplied by installer.
2. Wall drain and supplies can be on either wall.





SN2013, SN2033 Sentry™ Corner Shallow Bowl Washfountains

Rough-In Dimensions for Bowl and Pedestal - Wall-Mounted

(mm)

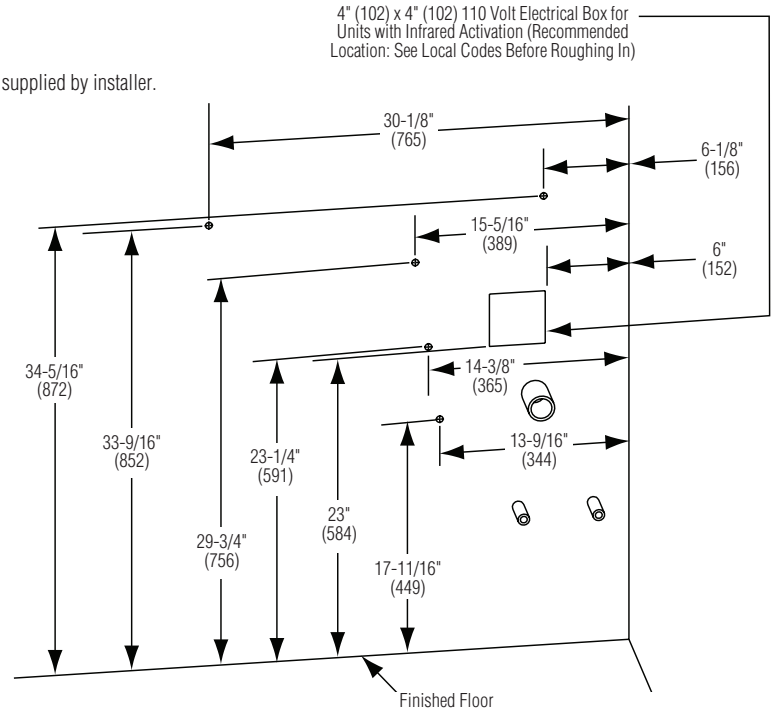
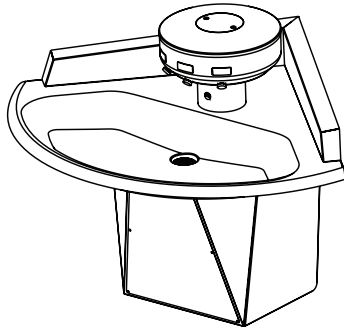
Standard Mounting for SN2033

Rough-In Notes

1. Anchor locations are shown for 3/8" diameter bolts. Anchors and bolts are supplied by installer.
2. Wall drain and supplies can be on either wall.



Standard height models with Infrared or hand control are ADA compliant when mounted at standard height dimensions.



Juvenile Mounting for SN2033

Rough-In Notes

1. Anchor locations are shown for 3/8" diameter bolts. Anchors and bolts are supplied by installer.
2. Wall drain and supplies can be on either wall.

