

- 5-1/2" diameter waste flange connection
- All units factory tested for proper operation

Specifications

Materials

All cabinet materials, including interior piping are Type 304 stainless steel. The fixture is made from heavy gauge stainless steel with seamless welded surfaces.

Construction

Cabinet/Toilet

All welded construction with exposed welds ground smooth, and all accessible seams and voids eliminated. Fixture will withstand up to 5,000 lb. load on front edge of toilet (certified test results of such loading are available upon request). Interior of cabinet has fire-resistant, sound-deadening material. Toilet bowl is offset. Access panels for connections and service are located on front and sides of cabinet.

Lavatory

Die-drawn oval bowl has multiple-hole fast drain with air vent. Self-draining soap dishes, integral escutcheons and bubbler are formed into countertop. Lavatory bowl measures 13-1/4" x 10" x 5" deep. Lavatory waste must be chosen from selection list.

Toilet

Elongated die-drawn bowl has blowout jet action for positive flush. 30 PSI (flowing into flush valve) required for flushing. Toilet assembly meets ANSI A112.19.6 specifications. Integral or hinged plastic seat optional. Flange waste standard (no-hub connection optional).



When choosing the Floodbuster option, a minimum of 35 PSI flowing into the Floodbuster valve is required.

Lavatory Valve

Hot and cold lavatory valve with deck-mounted spout is supplied when specified. Spout and push buttons fully assembled in unit. Unit available with self-closing air metering valve or TouchTime™ electronic valve.

Flush Valve

Flush valve is not included as standard equipment with the unit. Flush valve included when specified.

Finish

All exposed stainless steel surfaces have a bead blast finish. (#4 satin finish except integral toilet seat which has #7 high polish sanitary finish optional). Exposed fitting surfaces are triple chrome plated.

Wall Anchoring

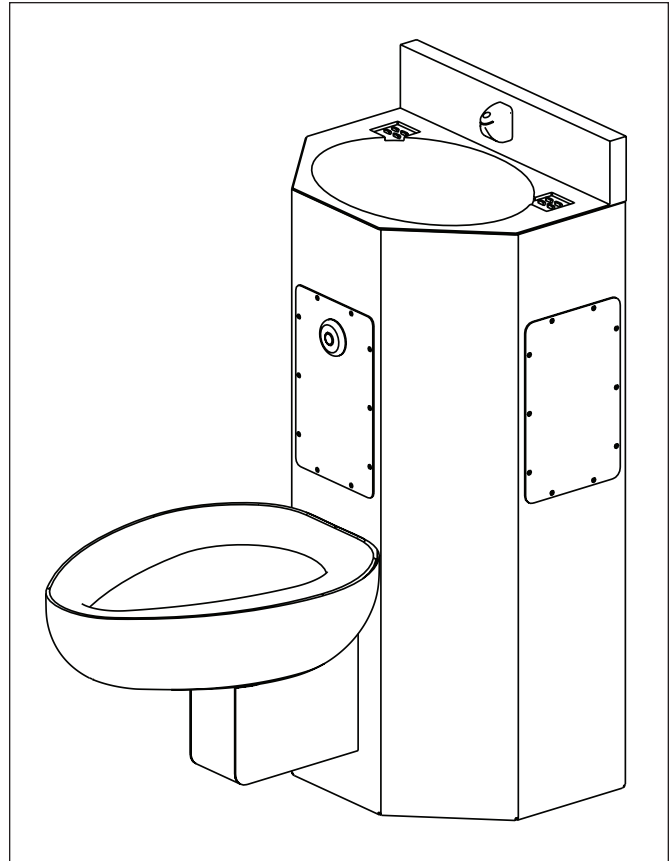
No exposed mounting fasteners in cell area. Fixture is completely secured from inside with rust-resistant mounting hardware. Wall anchors furnished by others.



Standard product selections contained within this document are third party **CERTIFIED** to NSF/ANSI 372 meeting the Lead-Free content requirement. Any product configured with custom options will be **COMPLIANT** with NSF/ANSI 372 meeting the Lead-Free content requirement.



Certified to
NSF/ANSI 372



Model	Description
<input checked="" type="checkbox"/> COMBI5600	17" Front Mounted 5-Sided Stainless Steel Combi

Required Selections (Must select one from each category)

Bowl Configuration (select one):

- L** Left Hand Configuration **C** Center Configuration
 R Right Hand Configuration

Lavatory Valve Button Location (select one):

- LPB** Left Side Flush **RPB** Right Side Flush

Fixture Mounting:

- FTD** Floor Standing

Toilet Waste Outlet (select one):

- WALL** Wall Outlet **FLOOR** Floor Outlet

Toilet Waste Outlet Connection (select one):

- N-N** No-Hub Waste Connection **FLNG** Flange Waste Connection

Toilet Seat (select one):

- ISEAT** Integral Seat **PSEAT** Plastic Seat (White)

Finish (select one):

- BB** Bead Blast (Standard) **PS** Polished Stainless Steel

Wall Thickness (select one):

- FM** Front-Mount Hardware
 0-4 0-4" Wall Thickness
 4-8 4-8" Wall Thickness
 8-12 8-12" Wall Thickness

Valve (select one):

- ASTS** Air Single Temp Self-Closing Valve
 ADTS Air Dual Temp Self-Closing Valve
 ASTM Air Single Temp Metering Valve
 ADTM Air Dual Temp Metering Valve
 TTST* TouchTime® Single Temp Electronic Metering Valve
 TTDT* TouchTime® Dual Temp Electronic Metering Valve
 NV No Valve

Filler/Bubbler (select one):

- PF** Penal Filler **CF** Code Filler
 NF No Filler

Lavatory Waste (select one):

- T-NH** Tailpiece - No-Hub (Std)
 CW Combined Waste
 CW-CO Combined Waste w/Clean-Out

Flush Valve (select one):

- LCHFV** Low Consumption Hydraulic Flush Valve
 LCTTFV Low Consumption Touchtime® Electronic Flush Valve
 NFV No Flush Valve

Optional Selections
Water Closet Waste Outlet Accessories:

- 3NH** 3" No-Hub Coupling
 4NH 4" No-Hub Coupling
 GSKT Neoprene Flange Gasket

Removable Lavatory Waste Accessories:

- R1 1/2PN** 1-1/2" P-Trap – No Hub

Recessed Tissue Holder:

- RTH** Recessed Tissue Holder

Towel Hook:

- TH** Towel Hook

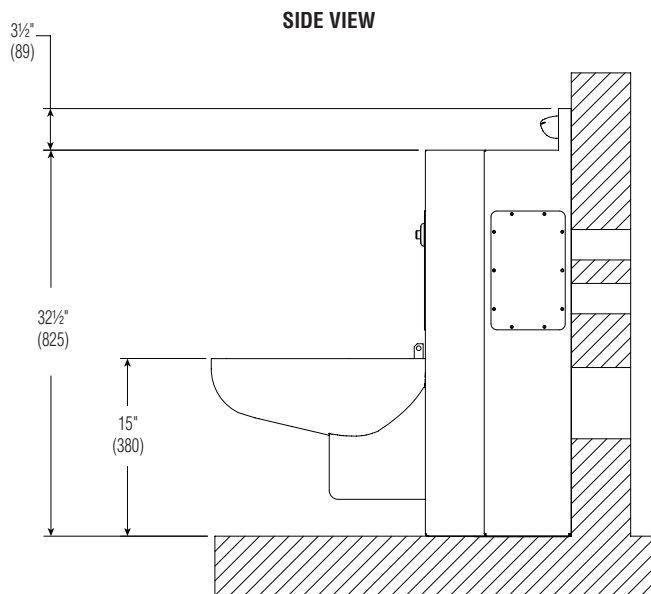
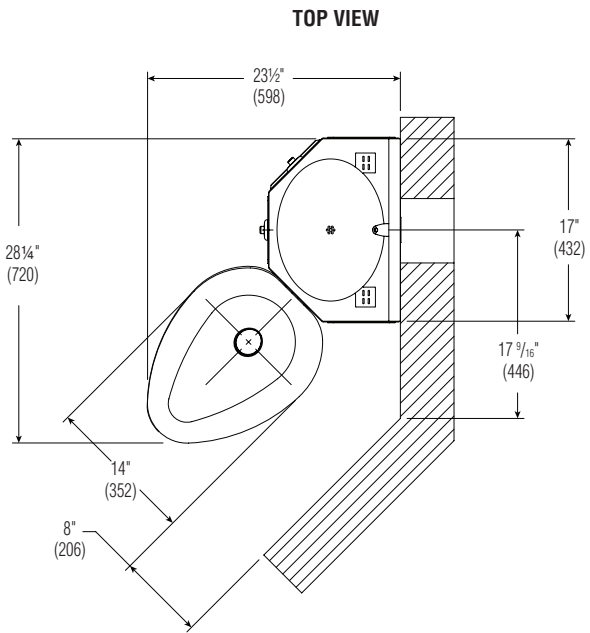
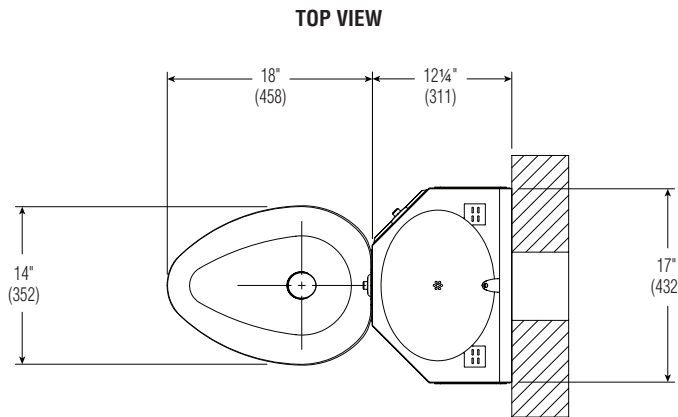
Toothbrush Holder (located on side opposite toilet):

- TBH** Toothbrush Holder

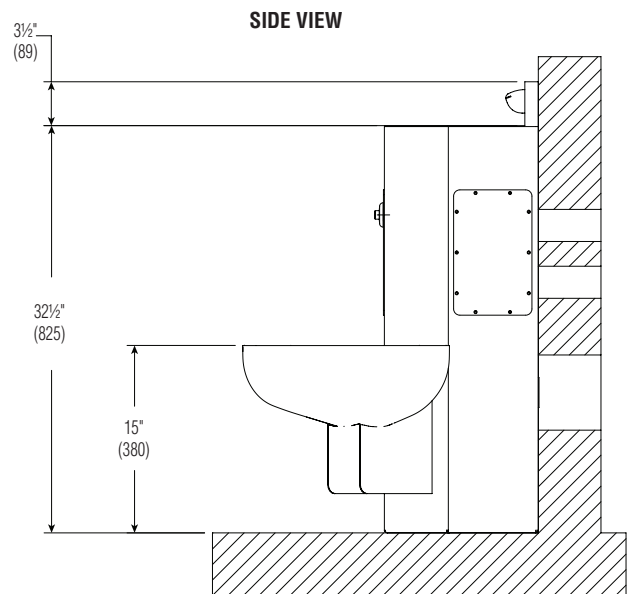
Floodbuster (must be located in chase):

- FBM** Mechanical Floodbuster

* Requires 24 V Class 2 Transformer, available as separate item from Bradley



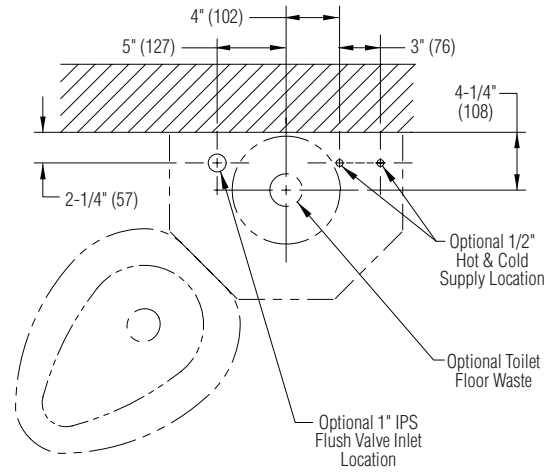
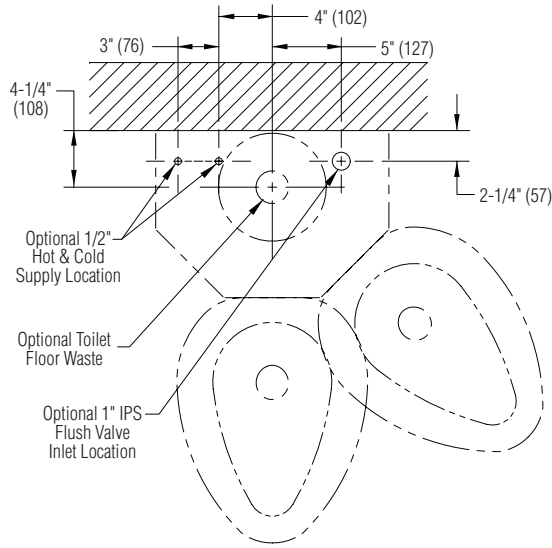
Straight Water Closet



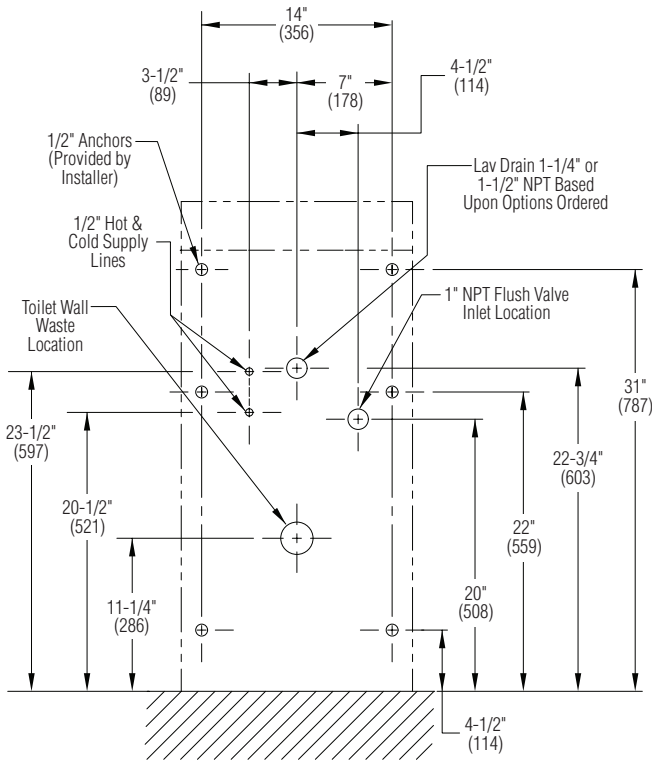
Angled Water Closet



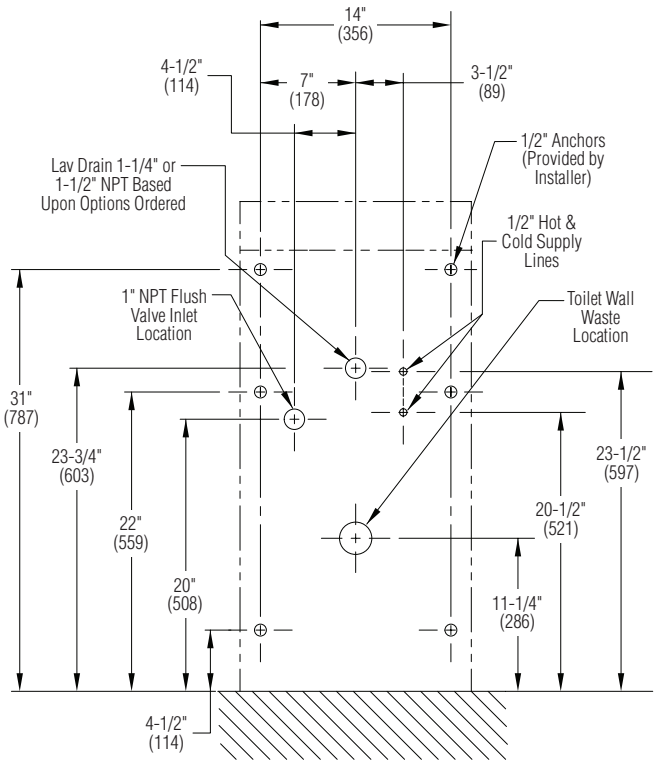
Right-hand unit is shown.
Left-hand unit is mirror image.



Mounting Locations Shown from Fixture Side of Wall



**Right Side and Center
 Rough-in Dimensions**



**Left Side
 Rough-in Dimensions**