



Pressure-Balancing Temperature Control Box, Surface-Mounted

Specifications

These controllers are recommended for small installations and isolated locations. They will deliver up to 7.0 GPM with minimum pressure of 45 PSI and adequate volume of water. Controllers will handle up to three showerheads when showerhead flow is limited to 2.5 GPM.

Materials

Box is constructed of 18 gauge Type 304 stainless steel. Baffles are 22 gauge.

Construction

All seams are heliarc welded and ground smooth to eliminate voids. The door incorporates concealed hinges, and comes equipped with a cam-and-cylinder lock furnished with two keys.

Equa-Flo Valve

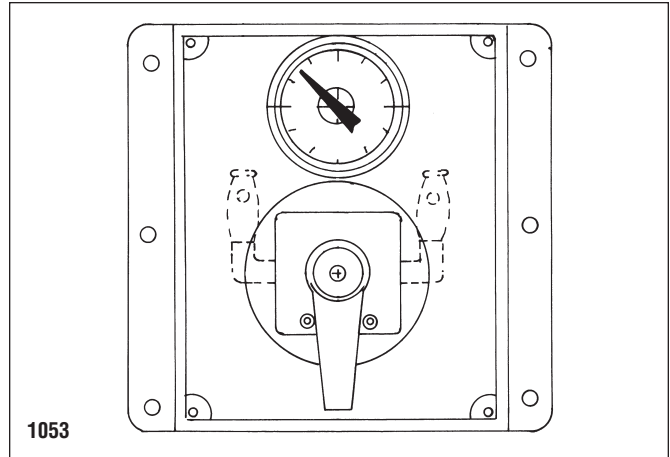
Diaphragm-actuated mechanism compensates instantly for pressure fluctuation in either hot or cold water supply. This valve does not recognize temperature fluctuation. In the event of a pressure failure of either the hot or cold water source, valve will shut down immediately to a trickle. Pressure balancing mechanism replaceable as a cartridge unit. No calibration required. Replaceable hot and cold shutoff seals with water pressure.

Temperature Gauge

Stainless steel case. Calibrated from 0° to 200° F.

Finish

All exposed stainless steel surfaces are polished to a #4 satin finish. Exposed valve parts are chrome-plated.



Wall Anchoring

Box is furnished with tabs for six wall fasteners (supplied by others).

Standard Equipment

Temperature controller box with locking door and two keys. Equa-Flo pressure balancing valve furnished with check stop in each supply. Temperature gauge calibrated from 0° to 200° F.

Dimensions

(mm)

