

- Single Temperature Cold Supply
- Sturdy Stainless Steel
- Non-Protruding
- For Non-Freezing Environment

### Specifications

#### Material

Box and wall flange are fabricated of 18 gauge type 304 stainless steel. All exposed stainless steel surfaces are polished to a #4 satin finish. Stop and valve bodies are cast brass. Exposed valve parts are chrome-plated.

#### Construction

All seams are heliarc welded and ground smooth. Wall flange is attached to frame with four stainless steel screws. Gaskets are provided as shown.

#### Valve

Supply inlets are 1/2" nom. copper female. Outlet is a 3/4" male hose thread.

#### Wall Anchoring

Box is furnished with four stainless steel clips which provide a secure means for anchoring to the wall.

#### Construction

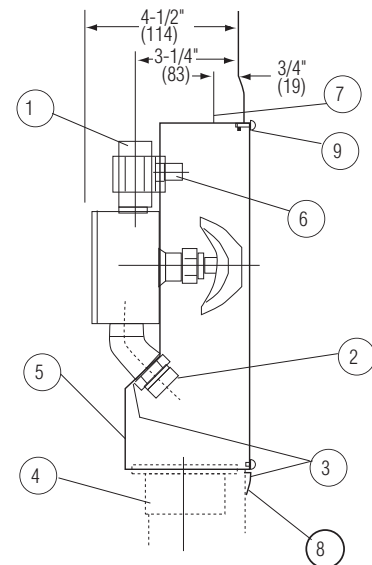
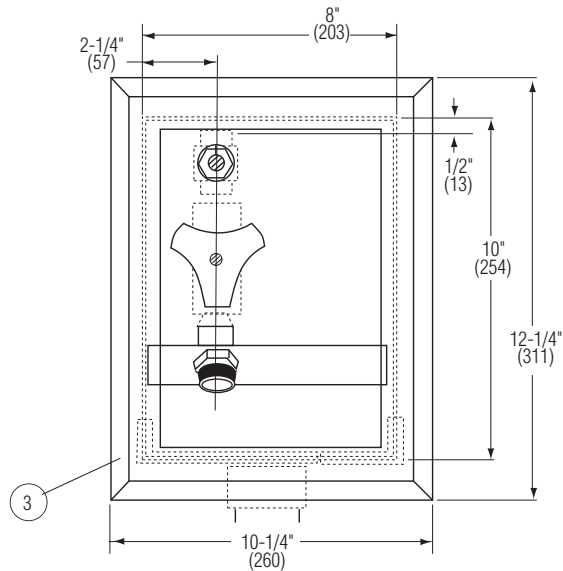
Recessed hose box with hot or cold screwdriver stops and valves, wall flange, and 3/4" hose connections. (Drain tailpiece by others.)

### Sample Specifications

Recessed Hose Box w/Single Temperature Cold Supply shall be Bradley Model 7909 or Model 7909VB w/Vacuum Breaker. Non-protruding hose box with cold supplies (drain by others) shall be used in a non-freezing environment and shall include the following standard equipment.

- hot and cold screwdriver stops and valves
- gaskets
- wall flange
- 3/4" hose connections

Model (Must select one)	Description
<input type="checkbox"/> 7909 less door	Recessed Hose Box w/Cold Supply
<input type="checkbox"/> 7909 with door	Recessed Hose Box w/Cold Supply
<input type="checkbox"/> 7909VB less door	Recessed Hose Box w/Cold Supply and Vacuum Breaker
<input type="checkbox"/> 7909VB with door	Recessed Hose Box w/Cold Supply and Vacuum Breaker



#### —DIAGRAMS—

1. Supply Inlets
2. Hose Connections
3. Gaskets
4. Drain (by others)
5. Recessed Box
6. Screwdriver Stops
7. Anchoring Clips
8. Wall Flange
9. Wall Flange Screws

Dimensions shown in parentheses are in millimeters.