



# WS-1X Individual Pivoting Wall Shower

- Industry Unique Hinge Design for Quick & Easy Installation and Maintenance
- Completely Preassembled and Ready to Mount to a Wall
- Flexible Supply Connections

## Specifications

### Materials

Shower panel is type 300 Series stainless steel. All other exposed parts are stainless steel or chrome-plated brass. Supply inlets are flexible stainless steel hoses.

## Standard Equipment

### Shower Panel

Shower panel is constructed of 18 gauge stainless steel. Top and bottom covers are riveted onto shower panel.

### Hinges

Stainless steel barrel hinges to mount shower to wall.

### Valve Type as Selected

For more information on each valve type, please enter the model number in the search box at [www.bradleycorp.com](http://www.bradleycorp.com).

### Showerhead

Showerhead is chrome plated brass with 1.5 GPM (5.7 LPM) flow control, ball joint and adjustable spray pattern control(B).

### Supply Inlets

Supply inlets are 24" flexible, stainless steel hoses with 1/2" NPT connections. Inlets are accessible through back of shower or through knockouts in the top and bottom covers.



WS-1X

## Optional Selections

### Ball Joint Type†

- LBJ** Lockable Ball Joint
- NONE** No Ball Joint

### Supply Stop Type (select one) (included with EF, HD and TMV valves)

- ST** Stops in Supplies for Valves
- NONE** No Supply Stops

### Soap Type (select one)

- SD** Standard Soap Dish
- NSD** No Soap Dish

### Slope Top Type (select one)

- SL** Sloped Top
- NONE** No Sloped Top

### Shroud Type

- SHV** Vertical Shrouds (floor to ceiling height \_\_\_\_\_ft. \_\_\_\_\_in.)\*
- SHH** Horizontal Shroud (per 3' section)\*‡
- NONE** No Shroud

### Hardware Type (select one)

- SC** Standard Screws
- VS** Vandal Resistant Screws

\*Non-cancelable, non-returnable

\*\*TTPA and TTPB valves require a low-voltage UL/CSA listed 120VAC/12VDC plug-in adapter.

† Only available on S15 and S20 Showerheads.

‡ Submittal drawing required.

Verify all rough-in dimensions prior to installation.

Consult local and national codes: conformity and compliance to local and national codes is the responsibility of the installer.

2.5 GPM showerhead flow rate does not meet California Energy Commission 20 CCR T.20, Div. 2, 1601-1609.

<b>Standard Selections</b> (Must select one from each category)	
<b>Showerhead Height (select one)</b>	
<input type="checkbox"/> <b>6'-0"</b>	Standard Height
<input type="checkbox"/> <b>5'-6"</b>	Juvenile Height
<b>Valve Type (select one)</b>	
<i>Hot/Tempered and Cold Supplies</i>	
<input type="checkbox"/> <b>EF</b>	Equa-Flo Pressure Balancing Valve
<input type="checkbox"/> <b>HD</b>	Equa-Flo HD Pressure Balancing Valve
<input type="checkbox"/> <b>TMV</b>	Thermostatic Mixing Valve
<i>Single Tempered/Cold Supply</i>	
<input type="checkbox"/> <b>AST</b>	Air Pushbutton
<input type="checkbox"/> <b>SV</b>	Single Compression Valve
<input type="checkbox"/> <b>TTPA</b>	TouchTime Pushbutton**
<input type="checkbox"/> <b>TTPB</b>	TouchTime Piezo Switch**
<b>Showerhead Type</b>	
<input type="checkbox"/> <b>B</b>	Axis Showerhead w/ Ball Joint (Flow Rate = 1.5 GPM/5.7 LPM)
<input type="checkbox"/> <b>S15</b>	Standard Showerhead (Flow Rate = 1.5 GPM/5.7 LPM)
<input type="checkbox"/> <b>S20</b>	Standard Showerhead (Flow Rate = 2.0 GPM/7.6 LPM)

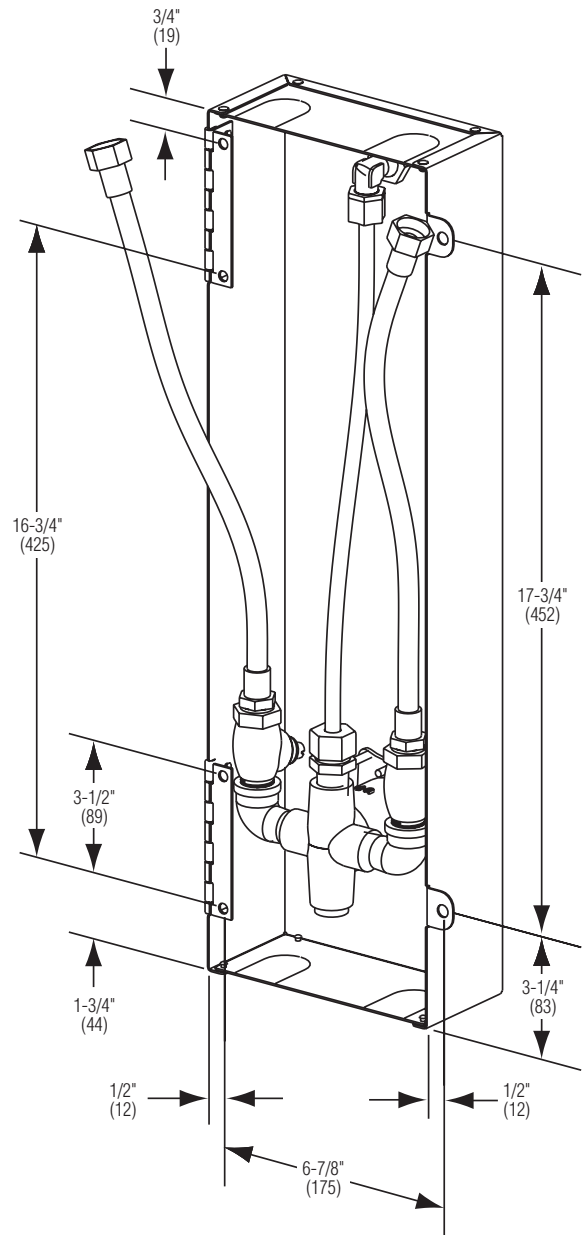
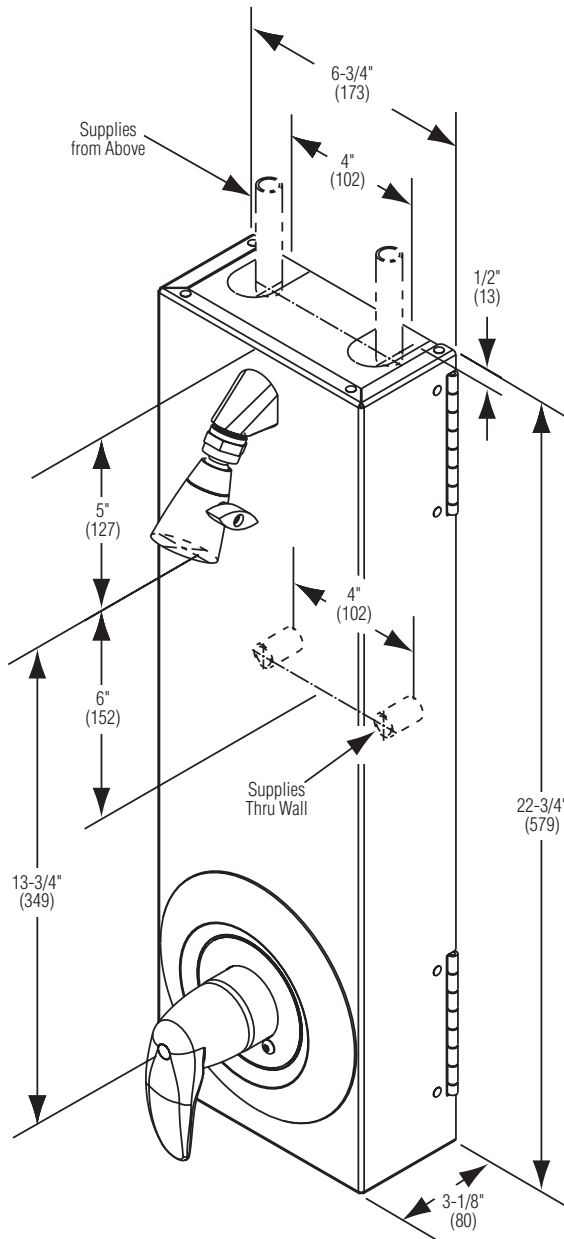


# WS-1X

## Individual Pivoting Wall Shower

(mm)

### Rough-Ins



*Equa-Flo Valve shown. Valve location and rough-ins same for other valves.*