



- Completely Preassembled Wall Shower Unit
- Ready for Connection to Plumbing Supplies

**Specifications**

**Materials**

Shower panel is type 304 stainless steel. All other exposed parts are stainless steel or chrome-plated brass. Valve bodies are brass casting. Supply piping is copper tubing.

**Standard Equipment**

**Shower Panel**

Shower panel and top and bottom covers constructed of 18 gauge stainless steel. Stainless steel soap dish mounted to panel. Mounting frame is 16 gauge.

**Valve Type as Selected**

For more information on each valve type, please enter the model number in the search box at [www.bradleycorp.com](http://www.bradleycorp.com).

**Showerhead**

Standard fixed direction adjustable spray showerhead (S15).

**Flow Control**

A 1.5 GPM (5.7 LPM) flow control is standard. Actual flow may vary, but will not exceed 2.0 GPM (7.6 LPM) Max.

**Supply Inlets**

Supply inlets are 1/2" type "L" copper tubing. Inlets are accessible through the back of the shower or through knockouts in the top and bottom covers.



**WS-1K**

<b>Standard Selections</b> (Must select one from each category)	
<b>Showerhead Height (select one)</b>	
<input type="checkbox"/> 6'-0"	Standard Height
<input type="checkbox"/> 5'-6"	Juvenile Height
<b>Valve Type (select one)</b>	
<i>Hot/Tempered and Cold Supplies</i>	
<input type="checkbox"/> EF	Equa-Flo Pressure Balancing Valve
<input type="checkbox"/> HD	Equa-Flo HD Pressure Balancing Valve
<input type="checkbox"/> TMV	Thermostatic Mixing Valve
<input type="checkbox"/> HC	Hot and Cold Compression Valve*
<i>Single Tempered/Cold Supply</i>	
<input type="checkbox"/> PM	Presto 50B Mechanical Metering Valve
<input type="checkbox"/> AST	Air Pushbutton
<input type="checkbox"/> SV	Single Compression Valve
<input type="checkbox"/> TTPA	TouchTime Pushbutton**
<input type="checkbox"/> TTPB	TouchTime Piezo Switch**
<b>Showerhead Type</b>	
<input type="checkbox"/> S15	Standard Showerhead (Flow Rate = 1.5 GPM/5.7 LPM)
<input type="checkbox"/> SX15	Severe Service Showerhead (Flow Rate = 1.5 GPM/5.7 LPM)
<input type="checkbox"/> S20	Standard Showerhead (Flow Rate = 2.0 GPM/7.6 LPM)
<input type="checkbox"/> SX20	Severe Service Showerhead (Flow Rate = 2.0 GPM/7.6 LPM)
<input type="checkbox"/> SF	Deluxe Showerhead w/ Ball Joint (Flow Rate = 1.5 GPM/5.7 LPM)
<input type="checkbox"/> ES	Economy Soft Flow w/ Ball Joint (Flow Rate = 2.0 GPM/7.6 LPM)
<input type="checkbox"/> J	Multi-Jet Showerhead w/ Ball Joint (Flow Rate = 1.5GPM/5.7 LPM)
<input type="checkbox"/> LX	Luxury Showerhead w/ Ball Joint (Flow Rate = 1.5GPM/5.7 LPM)
<input type="checkbox"/> B	Axis Showerhead w/ Ball Joint (Flow Rate = 1.5GPM/5.7 LPM)

**Optional Selections**

**Volume Control Type (select one)†**

- AKV Allen Key Volume Control
- LHV Lever Handle Volume Control
- NONE No Volume Control

**Ball Joint Type†**

- LBJ Lockable Ball Joint
- NONE No Ball Joint

**Shroud Type**

- SHV Vertical Shrouds (floor to ceiling height \_\_\_\_\_ft. \_\_\_\_\_in.)\*
- NONE No Shroud

**Soap Type (select one)**

- SD Surface Mount Soap Dish
- RSD Recessed Soap Dish
- NSD No Soap Dish

**Supply Stop Type (select one) (included with EF, HD and TMV valves)**

- ST Stops in Supplies
- NONE No Supply Stops

**Hardware Type (select one)**

- SC Standard Screws
- VS Vandal Resistant Screws

\*Non-cancelable, non-returnable

\*\*TTPA and TTPB valves require a low-voltage UL/CSA listed 120VAC/12VDC plug-in adapter.

† Only available on S15 and S20 Showerheads.

Verify all rough-in dimensions prior to installation.

Consult local and national codes: conformity and compliance to local and national codes is the responsibility of the installer.

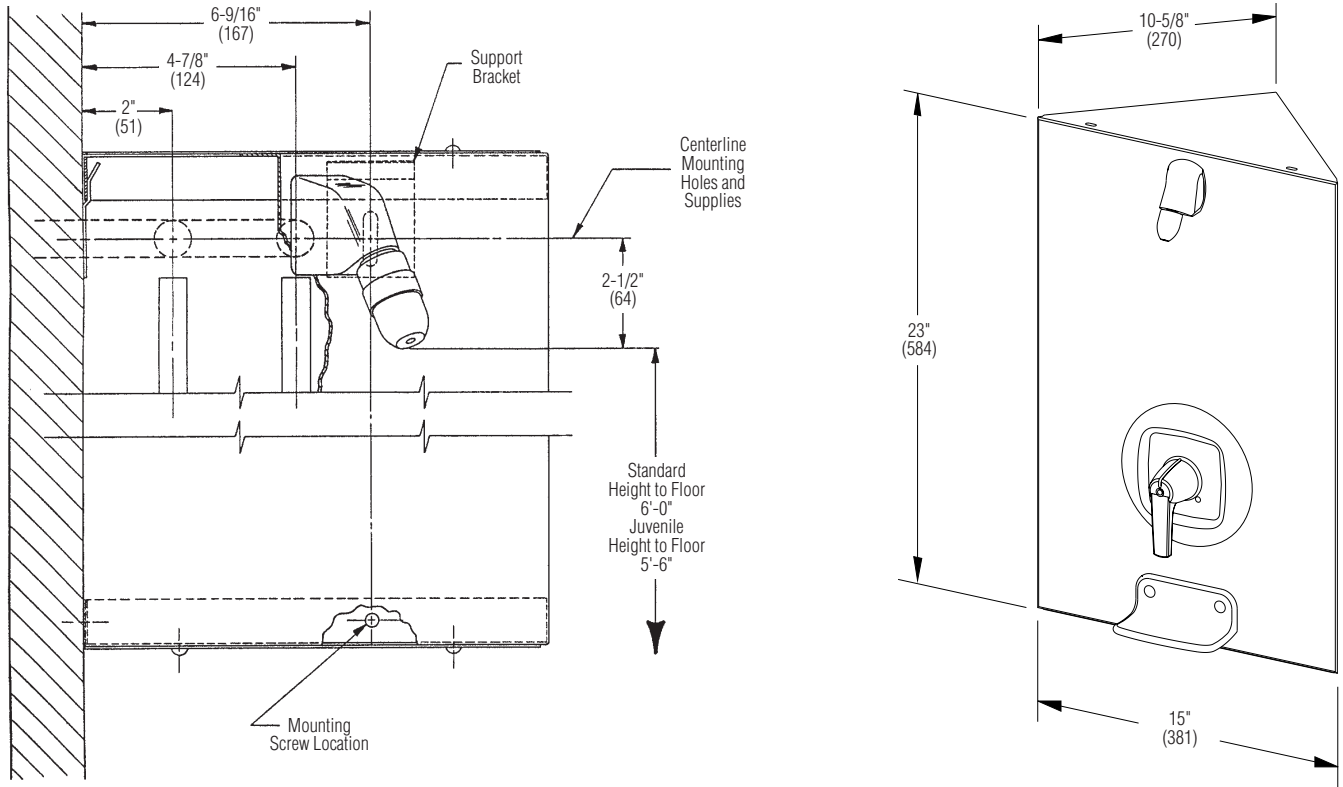
2.5 GPM showerhead flow rate does not meet California Energy Commission 20 CCR T.20, Div. 2, 1601-1609.



# WS-1K Corner-Mounted Individual Wall Shower

## Dimensions

(mm)



## Rough-Ins

