



- Completely Preassembled Shower Unit
- Ready for Connection to Plumbing Supplies
- No Mounting Frame Required

Specifications

Materials

Shower panel is 18 gauge type 304 stainless steel. All other exposed parts are stainless steel or chrome-plated brass. Valve bodies are brass casting. Supply inlets are flexible stainless steel hoses.

Standard Equipment

Shower Panel

Shower panel constructed of 18 gauge stainless steel. Stainless steel soap tray mounted to panel. (10) 1/4 – 20 x 3/4" mounting screws furnished (wall anchors by others).

Valve Type as Selected

For more information on each valve type, please enter the model number in the search box at www.bradleycorp.com.

Showerhead

Standard fixed direction adjustable spray showerhead (S15).

Flow Control

A 1.5 GPM (5.7 LPM) flow control is standard. Actual flow may vary, but will not exceed 2.0 GPM (7.6 LPM) Max.

Supply Inlets

Supply inlets are flexible, stainless steel hoses with 1/2" NPT connections. Inlets are accessible through the back of the shower.



WS-1F

Standard Selections (Must select one from each category)	
Valve Type (select one)	
<i>Hot/Tempored and Cold Supplies</i>	
<input type="checkbox"/> EF	Equa-Flo Pressure Balancing Valve
<input type="checkbox"/> HD	Equa-Flo HD Pressure Balancing Valve
<input type="checkbox"/> TMV	Thermostatic Mixing Valve
<input type="checkbox"/> HC	Hot and Cold Compression Valve*
<i>Single Tempored/Cold Supply</i>	
<input type="checkbox"/> PM	Presto 50B Mechanical Metering Valve
<input type="checkbox"/> AST	Air Pushbutton
<input type="checkbox"/> SV	Single Compression Valve
<input type="checkbox"/> TTPA	TouchTime Pushbutton**
<input type="checkbox"/> TTPB	TouchTime Piezo Switch**
Showerhead Type	
<input type="checkbox"/> S15	Standard Showerhead (Flow Rate = 1.5 GPM/5.7 LPM)
<input type="checkbox"/> SX15	Severe Service Showerhead (Flow Rate = 1.5 GPM/5.7 LPM)
<input type="checkbox"/> S20	Standard Showerhead (Flow Rate = 2.0 GPM/7.6 LPM)
<input type="checkbox"/> SX20	Severe Service Showerhead (Flow Rate = 2.0 GPM/7.6 LPM)
<input type="checkbox"/> SF	Deluxe Showerhead w/ Ball Joint (Flow Rate = 1.5 GPM/5.7 LPM)
<input type="checkbox"/> ES	Economy Soft Flow w/ Ball Joint (Flow Rate = 2.0 GPM/7.6 LPM)
<input type="checkbox"/> J	Multi-Jet Showerhead w/ Ball Joint (Flow Rate = 1.5GPM/5.7 LPM)
<input type="checkbox"/> LX	Luxury Showerhead w/ Ball Joint (Flow Rate = 1.5GPM/5.7 LPM)
<input type="checkbox"/> B	Axis Showerhead w/ Ball Joint (Flow Rate = 1.5GPM/5.7 LPM)

Optional Selections

Volume Control Type (select one)†

- AKV** Allen Key Volume Control
- LHV** Lever Handle Volume Control
- NONE** No Volume Control

Ball Joint Type†

- LBJ** Lockable Ball Joint
- NONE** No Ball Joint

Supply Stop Type (select one) (included with EF, HD and TMV valves)

- ST** Stops in Supplies
- NONE** No Supply Stops

Soap Dish Type (select one)

- SD** Wall-Mount Soap Dish
- RSD** Recessed Soap Dish
- NSD** No Soap Dish

Hardware Type (select one)

- SC** Standard Screws
- VS** Vandal Resistant Screws

*Non-cancelable, non-returnable

**TTPA and TTPB valves require a low-voltage UL/CSA listed 120VAC/12VDC plug-in adapter.

†Only available on S15 and S20 showerheads.

Verify all rough-in dimensions prior to installation.

Consult local and national codes: conformity and compliance to local and national codes is the responsibility of the installer.

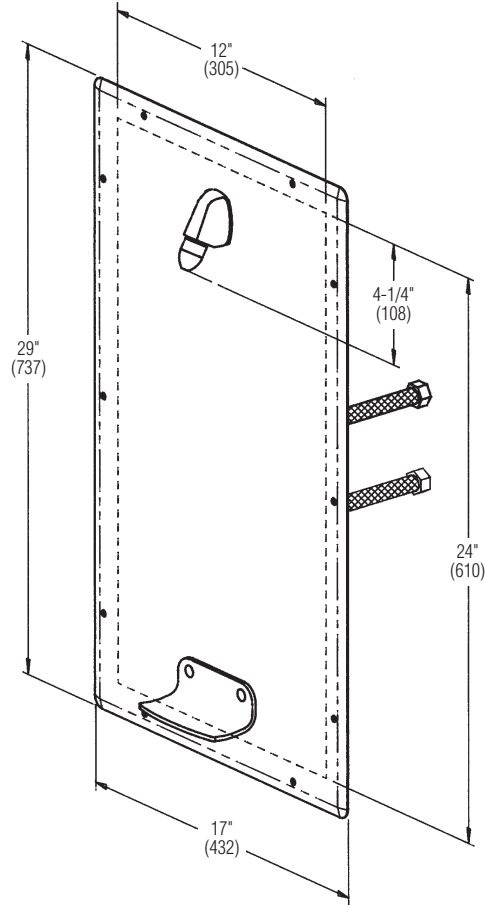
2.5 GPM showerhead flow rate does not meet California Energy Commission 20 CCR T.20, Div. 2, 1601-1609.



WS-1F Individual Flush-Mounted Wall Shower

Dimensions

(mm)



Rough-Ins

