

- Solid Surface Shower Pan
- Textured Shower Floor
- Ribbed bottom for added strength
- Durable, vandal resistant material
- Center drain with chrome plated brass drain assembly
- Optional tile flange

Specifications

The Terreon Solid Surface Shower Pans are designed to accommodate multiple applications. The Shower Pans feature a textured floor, ribbed bottom for added strength and a chrome plated brass drain assembly. Optional tiling flange is available. Constructed of Terreon Solid Surface material, the Shower Pans are durable and vandal resistant.

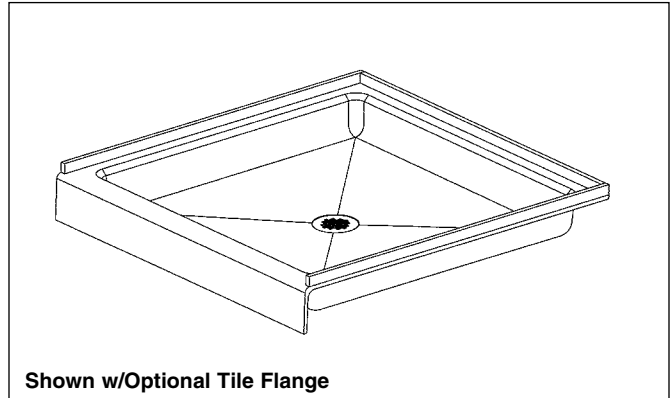
Construction

Constructed of Terreon, a densified solid surface material composed of an acrylic modified polyester resin. Terreon is resistant to chemicals, stains, burns and impact. Surface damage can be easily repaired with everyday cleaners or fine grit abrasives.

Sample Specification

Shower pan shall be Bradley Terreon Shower Pan Model TSP-3636. Nominal dimensions shall be 36"x 36"x 5-1/2", including optional tile flange. Shower pan shall include a 1" tiling flange and removable drain assembly. Appropriate caulk to be provided by installer.

- Shower Pan material shall be cast polyester resin complying with ANSI Z124.2
- Shower Pan color shall be Designer White
- Shower Pan floor shall be textured
- Tiling flange shall extend 1" above shoulder of Shower Pan
- Drain assembly shall be chrome plated brass



Shown w/Optional Tile Flange

Standard Selections (Must select one from each category)

Model (select one)

- Qty ____ TSP-3236: 32"x36" Terreon Shower Pan*
- Qty ____ TSP-3636: 36"x36" Terreon Shower Pan*

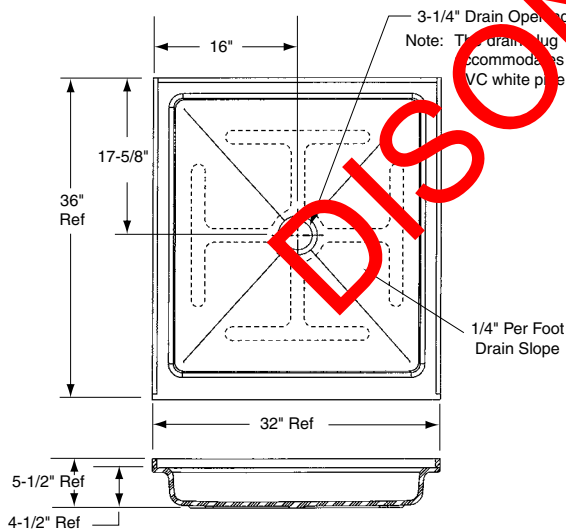
Color of Terreon (select one)

- DS-WHT** Designer White
- MESA** Mesa Blue
- LONDON** London Gray
- O-TAUPE** Organic Taupe

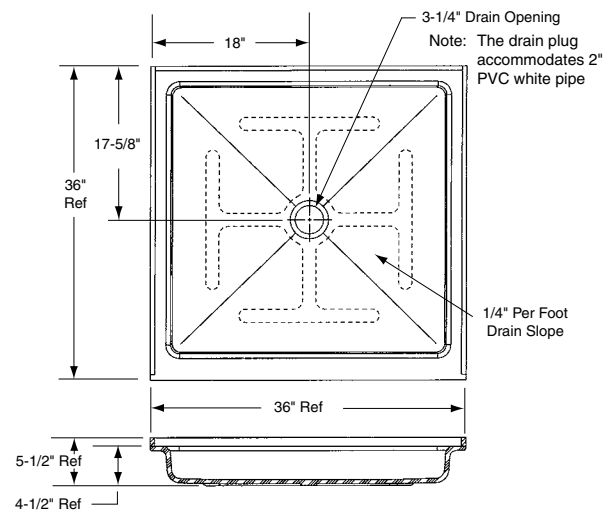
Tile Flange (select one)

- TILING** Tile Flange
- NO TILING** No Tile Flange
- TILING, Special** Flange, Special (Flange Height ____)

*Models are non-cancellable and non-returnable.



TSP-3236



TSP-3636