



S19-2300 (EFX125) Emergency Fixture Thermostatic Mixing Valves

- Meets ANSI Z358.1
- Reliable Liquid-Filled Thermostat with 10-Year Warranty
- Integral Strainer Checkstops on Inlets
- Adjustable Set Point within Temperature Range
- Accurate Temperature Control to within $\pm 3^\circ$ F
- Built-in Cold Water Bypass, Assuring Cold Flow
- Positive Shutoff of Hot Supply When Cold Supply is Lost
- Easy Installation and Serviceability
- Dirt and Lime Resistant
- Dial Thermometer
- Factory Assembled and Tested
- Universal Mounting Capability
- Cabinet Features:
 - 18 Gauge Body & Door
 - Left-Hand Hinge
 - Cylinder Lock
 - Inlet/Outlet Knock-Out Holes for Mounting Flexibility
 - Stainless Steel or Baked White Enamel Finishes
 - Surface-Mounted or Recessed Style

Valve Specifications

Maximum Operating Pressure

125 PSI (860 kPA)

Maximum Inlet Temperature

180° F (82° C)

Recommended Inlet Temperature

120° F (49° C) – 140° F (60° C)

Temperature Range

Std. 65° F (18° C) to 95° F (35° C)

Set Point

85° F (29° C)

Flow Capacities – GPM

Model	Min. Flow	Pressure Drop – PSI						
		5	10	15	20	30	45	60
S19-2300	3	33.5	47.5	58.0	67.0	82.0	100.5	116.0
Cold Bypass Only		25.5	36.5	44.5	51.5	63.0	77.0	89.0

Flow Capacities – L/Min

Model	Min. Flow	Pressure Drop – Bar						
		.5	1.0	1.5	2.0	2.5	3.0	4.0
S19-2300	11.5	153.0	216.3	265.0	306.0	342.0	374.5	432.5
Cold Bypass Only		117.3	166.0	203.0	234.5	262.0	287.0	331.5



This plumbing fixture is not intended to dispense water for human consumption through drinking or for preparation of food or beverages.

Engineer's Approval _____



Valve Model

Model

S19-2300

Description

Emergency Fixture Thermostatic Mixing Valve

Configurable Valve Model (select one)

Model

EFX125

Description

EFX125 Thermostatic Mixing Valve with Options

CAB-EFX125

EFX125 Thermostatic Mixing Valve **Cabinet Only**

Optional Valve Selections

Finish

R

Rough Brass (standard)

C

Chrome Plated

Bracket

B

Wall Mounting Bracket

0

None

Piped Assembly

P

Piped Assembly with Inlet and Outlet Shutoff

N*

Piped Assembly only

0

None

Optional Cabinet Selections

Cabinets (includes bracket)

SS

Surface Mount Stainless Steel

RS

Recessed Stainless Steel

SE

Surface Mount White Enamel

RE

Recessed White Enamel

0

None

Window

W

Plexi-Glass Window in Door

0

None

*Requires cabinet selection

Application

For two or more
[Drench Showers or Combination Fixtures](#)



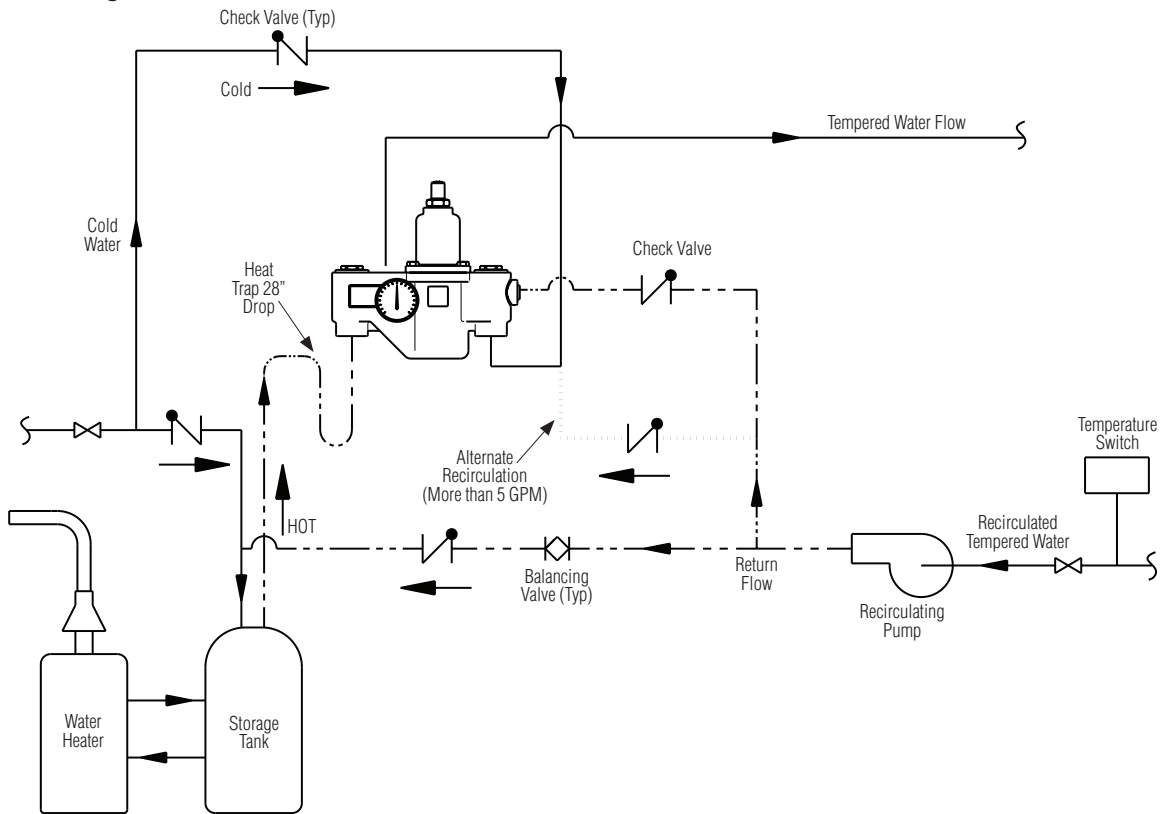
Complies with ANSI/ISEA Z358.1



S19-2300 (EFX125) Emergency Fixture Thermostatic Mixing Valves

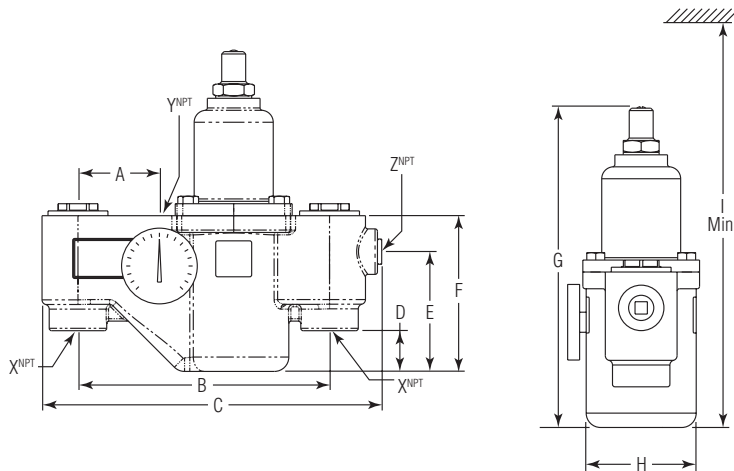
Recirculation Diagram

(mm)



Dimensions

Model	A	B	C	D	E	F	G	H	I	X ^{NPT}	Y ^{NPT}	Z ^{NPT}
S19-2300	2-3/4" (70)	10-1/2" (267)	14" (356)	1-3/4" (45)	5" (127)	6-5/8" (169)	13-1/2" (343)	4-7/8" (124)	22" (559)	1-1/4"	1-1/2"	3/4"



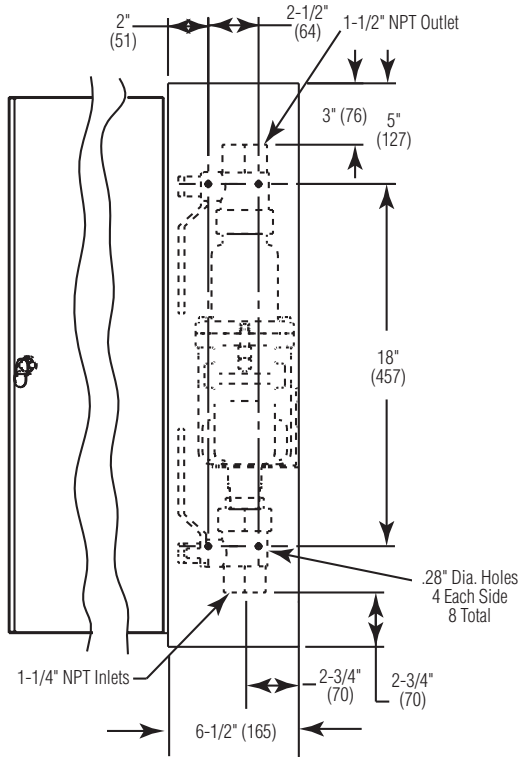


S19-2300 (EFX125) Emergency Fixture Thermostatic Mixing Valves

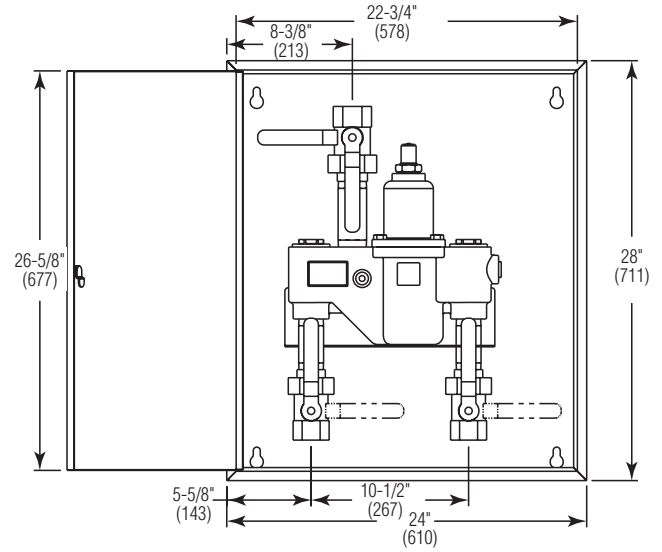
Dimensions — S19-2300 Surface-Mounted Cabinet

(mm)

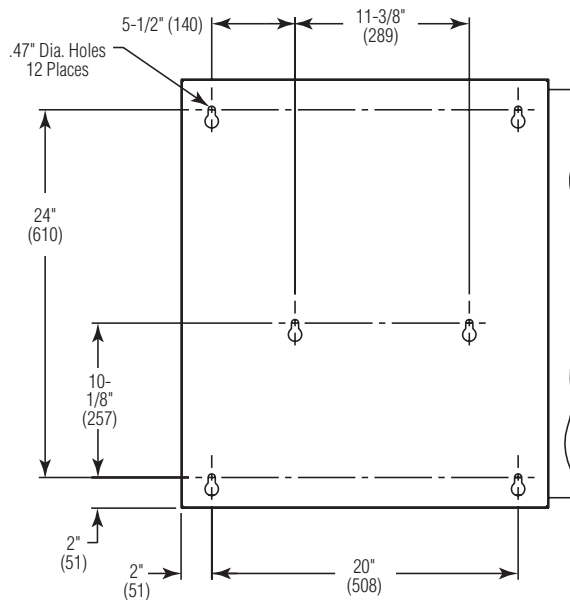
Side View



Front View



Back View



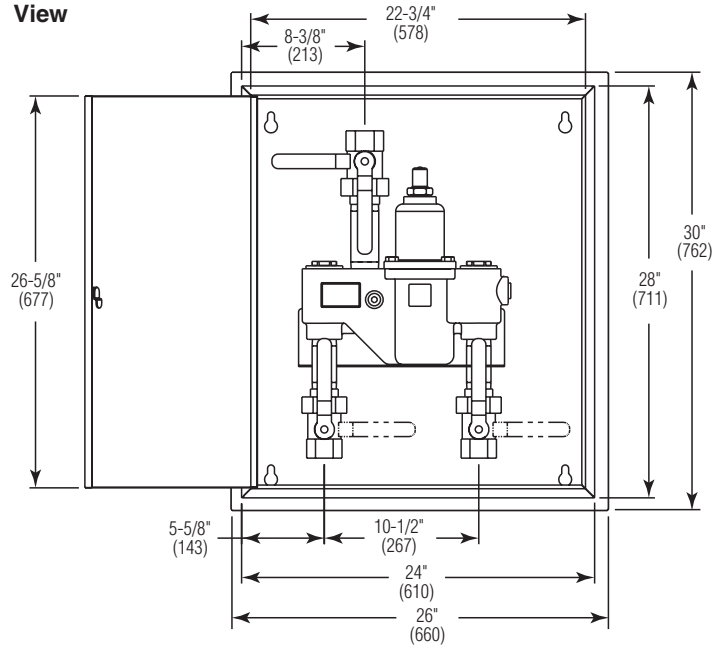


S19-2300 (EFX125) Emergency Fixture Thermostatic Mixing Valves

Dimensions — S19-2300 Recessed Cabinet

(mm)

Front View



Side View

